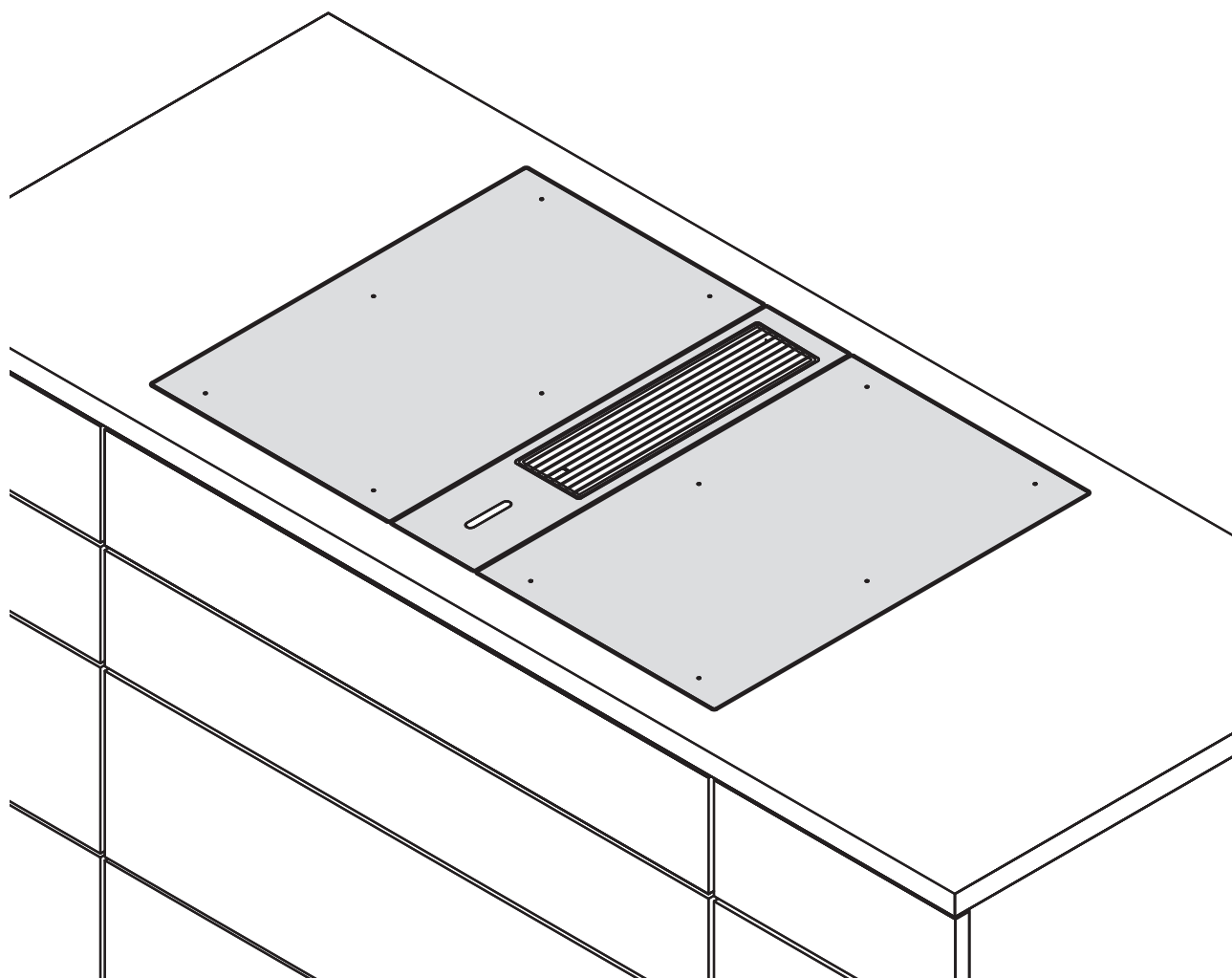


**EN BORA Classic 2.0 system installation instructions**

Cooktop extractor and cooktops



**C2XIMEN-002**

Installation instructions:

Original

Translation

**Manufacturer**

**BORA Vertriebs GmbH & Co KG**

Innstraße 1  
6342 Niederndorf  
Austria

Contact

T +43 (0) 5373/62250-0  
mail@bora.com  
www.bora.com

The distribution and duplication of this document, as well as the use and disclosure of its contents are prohibited unless expressly authorised.

Great care was taken when devising these operating and installation instructions. However, it may be the case that later technical changes or adaptations to the system software have not yet been added or the corresponding contents have not yet been modified. We apologise for this. A up-to-date version can be requested from the BORA Service team. Misprints and errors excepted.

© BORA Vertriebs GmbH & Co KG

All rights reserved.

# Table of Contents

<b>1</b>	<b>General information</b>	<b>4</b>		
1.1	Target group.....	4		
1.2	Validity .....	4		
1.3	Other applicable documents .....	4		
1.4	Data protection .....	4		
1.5	Presentation of information.....	5		
<b>2</b>	<b>Safety</b>	<b>6</b>		
2.1	General safety instructions .....	6		
2.2	Safety information for installation .....	6		
2.3	Safety instructions – disassembly and disposal .....	8		
2.4	Safety instructions – spare parts .....	8		
2.5	Use as intended .....	9		
<b>3</b>	<b>Technical data</b>	<b>10</b>		
3.1	CKA2 .....	10		
3.2	CKFI.....	11		
3.3	CKI .....	12		
3.4	CKIW .....	13		
3.5	CKCH.....	14		
3.6	CKCB.....	15		
3.7	CKT.....	16		
<b>4</b>	<b>Installation</b>	<b>17</b>		
4.1	General installation information .....	17		
4.1.1	Operating the cooktop extractor with a fireplace that depends on the air in the room... 17			
4.2	Checking the delivery.....	17		
4.2.1	Scope of delivery of the cooktop extractor .....	18		
4.2.2	Scope of delivery of the cooktops.....	18		
4.3	Tools and aids .....	18		
4.4	Assembly instructions .....	18		
4.4.1	Safety clearances.....	18		
4.4.2	Worktop and kitchen units .....	18		
4.5	Cut-out dimensions .....	19		
4.5.1	Flush installation .....	19		
4.5.2	Surface mounting.....	19		
4.6	Installation dimensions.....	20		
4.7	Installation options.....	21		
4.8	Assembling the extraction system .....	22		
4.8.1	Assembling cooktop extractor CKA2.....	22		
4.9	Installing the cooktop extractor .....	22		
4.9.1	Recirculation when using the cooktop extractor as a recirculation system .....	23		
4.9.2	Fitting and positioning the cooktop extractor ...	23		
4.10	Installing the duct system .....	24		
4.10.1	Fitting the duct system to cooktop extractor CKA2.....	24		
4.10.2	Installing the additional fan.....	26		
4.11	Installing the cooktops .....	26		
4.11.1	Fitting and positioning the cooktops.....	26		
4.11.2	Securing the cooktop extractor.....	27		
4.11.3	Securing the cooktops .....	27		
4.12	Connecting external switch contacts .....	28		
4.13	Establishing communication and power connection .....	30		
4.13.1	Establishing contact between the cooktop extractor and cooktops .....	30		
4.13.2	Fitting split ferrite sleeves.....	30		
4.13.3	Establishing contact between the operating unit and control unit.....	31		
4.13.4	Connecting fans to the control unit.....	31		
4.13.5	Positioning the control unit .....	31		
4.13.6	Connecting to the mains .....	31		
4.14	Initial operation .....	32		
4.14.1	Basic configuration.....	32		
4.14.2	Function test .....	34		
4.15	Sealing the devices .....	34		
4.16	Handover to user.....	34		
4.17	Demo mode.....	34		
<b>5</b>	<b>Decommissioning, disassembly and disposal</b>	<b>35</b>		
5.1	Decommissioning.....	35		
5.2	Disassembly .....	35		
5.3	Environmentally-friendly disposal .....	35		

# 1 General information

## 1.1 Target group

These installation instructions apply to the following target groups:

Target group	Requirements
Ambitious DIYers	Ambitious DIYers can independently conduct all joinery and installation work providing they possess the necessary skills and expertise. They must never attempt to connect the electricity and gas themselves.
Installation specialists	Installation specialists are authorised to conduct all joinery and installation work in line with existing regulations. The electricity and gas connections must be certified by a certified engineer from the applicable specialist field prior to commissioning.
Electricians	The electrical connection may only be established by a certified engineer. He/she also assumes responsibility for the proper electrical installation and commissioning.
Qualified gas technicians	The gas connection may only be established by a certified tradesperson. He/she also assumes responsibility for the proper gas installation and commissioning.

Tab. 1.1 Target groups

**INFO** BORA Holding GmbH, BORA Vertriebs GmbH & Co KG, BORA APAC Pty Ltd and BORA Lüftungstechnik GmbH – hereinafter referred to as BORA – does not assume any liability for damage arising from disregard for or non-adherence to these documents and improper installation! The electricity and gas supply must be connected by a certified specialist. Installation may only be carried out in accordance with the applicable standards, regulations and laws. All safety and warning information, as well as the handling instructions in the operating and installation instructions must be observed.

## 1.2 Validity

These instructions apply to several appliance versions. It is therefore possible that some of the features described do not apply to your appliance. The details of the figures contained herein may differ from some appliance versions and are to be understood as schematic diagrams.

## 1.3 Other applicable documents

Other documents apply to these instructions and must be taken into account, particularly the BORA Classic 2.0 system operating instructions.

Please by all means adhere to all documents that form part of the scope of delivery.

**INFO** BORA does not assume any liability for damage arising from non-adherence to these documents.

### Directives

The appliances meet the following EU/EC directives:

2014/30/EU EMC Directive

2014/35/EU Low Voltage Directive

2009/125/EC Ecodesign Directive

2011/65/EU RoHS Directive

2012/19/EU WEEE Directive

Cooktop extractors also meet the following EU/EC directives:

2010/30/EU Energy Labelling Directive

## 1.4 Data protection

During operation your cooktop extractor saves pseudonymised data such as menu settings entered by you, operating hours of the individual technical units and the number of functions selected. Furthermore, your cooktop extractor documents errors in combination with the number of operating hours.

The data can only be read manually via your cooktop extractor, thus the decision is yours.

The saved data then enable a rapid error search and troubleshooting in case of service.

## 1.5 Presentation of information

We use standard formatting, numbering, symbols, safety instructions, terms and abbreviations so that you can work quickly and safely when using this manual.

**Instructions** are indicated with an arrow.

► Always follow all instructions in the prescribed order.

**Enumerations** are indicated with a square bullet point at the start of the line.

■ Enumeration 1

■ Enumeration 2

**INFO** Information notes point to special features that must be taken into account.

### Safety and warning instructions

The safety and warning instructions in this manual are emphasised with symbols and signal words.

Safety and warning instructions are structured as follows:

#### WARNING SYMBOL AND SIGNAL WORD!

Type and source of danger




Results of non-compliance

► Measures to minimise risk

Please note:

■ The warning symbol draws your attention to the risk.

■ The signal word indicates the severity of that risk.

Warning symbol	Signal word	Risk
	<b>Danger</b>	Indicates an immediate, hazardous situation which causes death or serious injury if not respected.
	<b>Warning</b>	Indicates a potentially hazardous situation which can cause death or serious injury if not respected.
	<b>Caution</b>	Indicates a potentially hazardous situation which can cause minor injury if not respected.
–	<b>Caution</b>	Indicates a situation which can cause property damage if not respected.

Tab. 1.2 Meaning of the warning symbols and signal words

## 2 Safety

### 2.1 General safety instructions

**INFO** The appliance complies with the stipulated safety requirements. The user is responsible for appliance cleaning and maintenance as well as its safe use. Improper use can lead to personal injury and damage to property.

- The operating and installation instructions contain important information about installation and operation. These enable you to protect yourself against injuries and prevent damage to the appliance. Contact details for further information as well as application and usage questions can be found on the back.
- The term “appliance” is used to refer to cooktops, cooktop extractors or cooktops with integrated cooktop extractor.
  - ▶ Read the operating and installation instructions fully before using the appliance for the first time.
  - ▶ Always store the operating and installation instructions within easy reach so that they can be accessed if required.
  - ▶ Pass the operating and installation instructions to the next owner if you sell the appliance.
  - ▶ Conduct all work extremely attentively and conscientiously.
  - ▶ Check the appliance for visible damage when unpacking it.
  - ▶ Do not connect a damaged appliance.
  - ▶ Do not connect the appliance to the mains until the duct system has been installed or the recirculation filter has been fitted.
  - ▶ Only use the connection cables supplied in the scope of delivery.
  - ▶ Do not use the appliance until installation is complete. This is the only way to ensure safe operation.
  - ▶ Make sure contact with hot cooking surfaces is not possible.
  - ▶ Do not place any objects on the operating panel or the cooktop extractor air inlet nozzle.
  - ▶ Switch off the appliance after use.
  - ▶ Keep pets away from the appliance.

#### CAUTION!

#### Appliance components can cause injury if dropped!

Appliance components such as pan supports, operating controls, covers, grease filters, etc. can cause injury if dropped.

- ▶ Place any appliance components that have been removed in a safe place near the appliances.
- ▶ Ensure that no components removed from the appliance can fall on the floor.

#### Unauthorised modifications

Unauthorised modifications can cause the appliance to pose risks.

- ▶ Do not make any changes to the appliance.

### 2.2 Safety information for installation

The appliance must only be installed and assembled by trained specialists who are familiar with and comply with the standard national regulations and supplementary regulations of the local utility companies.

Work on electrical components must be conducted by trained electrical personnel.

The electrical safety of the appliance is only guaranteed if it is connected to a protective conductor system that has been installed in line with regulations. Ensure that this basic safety precaution is met.

- ▶ Check the appliance for visible damage prior to installation.
- ▶ Do not install any damaged appliance.
- A damaged appliance may put your safety at risk.
- Repair and maintenance work may only be carried out by specialists authorised by the manufacturer.

**DANGER!****Risk of asphyxiation!**

Packaging components (e.g. film, polystyrene) can be life-threatening for children.

- ▶ Store all packaging components out of reach of children.
- ▶ Dispose of the packaging properly and immediately.

### 2.2.1 Safety information for cooktop installation

**DANGER!****Risk of electric shock!**

Connecting the appliance to the mains incorrectly poses a risk of electric shock.

- ▶ Make sure that the appliance has a fixed connection to the mains voltage.
- ▶ Make sure that the appliance is connected to a properly installed protective conductor system.
- ▶ Make sure that technical equipment is provided to enable all of the appliance's poles to be disconnected from the mains with a contact opening width of at least 3 mm (LS switch and automatic circuit breakers, fuses, contactor).

**DANGER!****Risk of electric shock!**

The connection cable can be damaged if it comes into contact with hot cooking zones. A damaged connection cable can cause a (fatal) electrical shock.

- ▶ Make sure that the connection cable does not come into contact with hot cooking surfaces.
- ▶ Make sure that the connection cable does not become trapped or damaged.

**CAUTION!****Lifting heavy loads can cause back injuries!**

If not handled correctly, removing and installing the appliance can cause injuries to the limbs or torso.

- ▶ Removing the cooktop from the packaging is a two-person job.
- ▶ Placing the cooktop into the worktop cut-out is a two-person job.
- ▶ Use appropriate aids to prevent damage or injuries to limbs or torso.

### 2.2.2 Safety instructions – cooktop extractor installation

**DANGER!****Risk of poisoning caused by combustion gases!**

When the cooktop extractor is used in exhaust mode, it draws in air from the room it is installed in and from neighbouring rooms. Without sufficient air, there will be a drop in air pressure. Toxic gases could be drawn out of the chimney or extraction ducting on a fireplace that depends on the room air and back into the room.

- ▶ Make sure that there is always a sufficient air supply.
- ▶ Only use reliable, tried-and-tested switching devices, (e.g. window contact switch, low pressure warning device) and have them approved by a qualified expert (certified chimney sweep).

**DANGER!****Risk of electric shock!**

The control unit can contain residual charge and cause an electric shock.

- ▶ Do not touch exposed contacts on the control unit.

**DANGER!****Risk of electric shock!**

Incorrect stripping of the connection cable to external switching devices results in a risk of electric shock.

- ▶ Ensure that the connection cable is secured with the strain relief clamp within the universal control unit.
- ▶ Ensure that the stated stripping lengths are adhered to.

**DANGER!****Risk of electric shock and damage to property!**

A damaged operating unit can lead to a short circuit.

- ▶ Do not operate any appliance with a damaged operating unit.
- ▶ Inform a BORA Service technician and have the operating unit replaced.

**Special safety information for exhaust air systems:**

- ▶ Observe the duct length in the case of straight ducting between the fan and wall sleeve.
- It is necessary to plan a duct length of at least 90 cm between the fan exhaust opening and the wall sleeve exhaust opening.

## 2.3 Safety instructions – disassembly and disposal

The appliance must only be disassembled by trained specialists who are familiar with and comply with the standard national regulations and supplementary regulations of the local utility companies.

Work on electrical components must only be conducted by trained electrical personnel.

**DANGER!****Risk of electric shock!**

Incorrectly disconnecting the appliance from the mains results in a risk of electric shock.

- ▶ Securely disconnect the appliance from the mains using LS switches, fuses, automatic circuit breakers or contactors.
- ▶ Use an authorised measuring device to ensure that there is no power to the appliance.
- ▶ Do not touch exposed contacts on the electronic unit as they can contain residual charge.

## 2.4 Safety instructions – spare parts

**WARNING!****Risk of injury and damage to property!**

Incorrect components can lead to personal injury or damage to the appliance. Modifications, additions or alterations to the appliance can lead to safety risks.

- ▶ Only use original spare parts for repairs.

**INFO**

A damaged mains cable must be replaced by another suitable mains cable. This may only be done by an authorised member of the After Sales Service team.



## 2.5 Use as intended

The appliance cannot be used at altitudes above 2000 m (metres above sea level).

The appliance is solely intended for preparing food in private households. This appliance is not intended for:

- outdoor use
- installation in vehicles
- heating rooms
- use in non-stationary installation sites (e.g. on ships)
- use with an external timer or a separate remote control system (remote operation)

Any use other than that specified in these operating and installation instructions or any use that goes beyond that which is described here is classed as unintended. BORA does not assume any liability for damages caused by improper use or incorrect operation.

**All misuse is prohibited!**

---

**INFO** BORA Holding GmbH, BORA Vertriebs GmbH & Co KG, BORA APAC Pty Ltd and BORA Lüftungstechnik GmbH do not assume any liability for damage arising from non-adherence to the safety and warning information.

---

## 3 Technical data

### 3.1 CKA2

Parameter	Value
Supply voltage	220 - 240 V
Frequency	50/60 Hz
Power consumption (including external BORA Universal article fans)	max. 550 W
Fuse protection (internal)	TR 3.15 A
Dimensions (width x depth x height)	439 x 515 x 190 mm
Weight (incl. accessories/packaging)	7.5 kg
Surface material	SSG glass/1.4301 stainless steel and plastic
Cooktop extractor	
Power levels	1 - 5, P
Connection on the exhaust side	BORA Ecotube

Tab. 3.1 Technical data CKA2

### Device dimensions CKA2

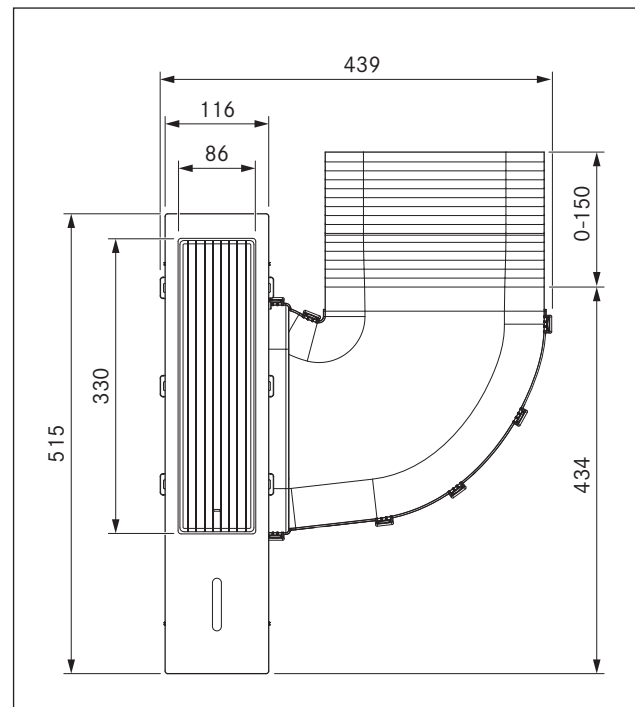


Fig. 3.1 CKA2 device dimensions top view

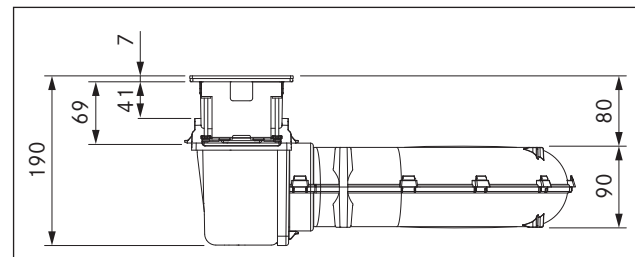


Fig. 3.2 CKA2 device dimensions front view

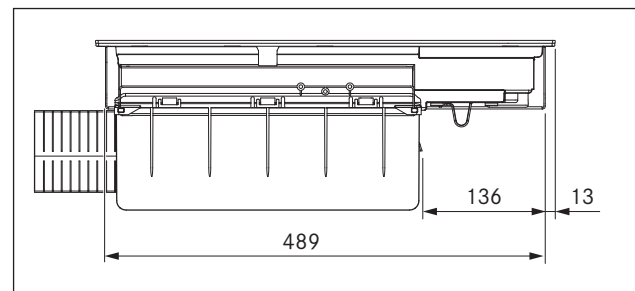


Fig. 3.3 CKA2 device dimensions side view

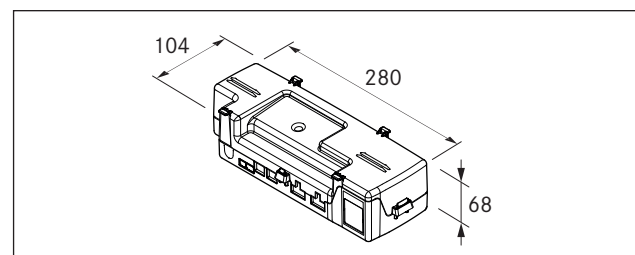


Fig. 3.4 Device dimensions control unit

### 3.2 CKFI

Parameter	Value	
Supply voltage	220 - 240 V	
Frequency	50/60 Hz	
Power consumption	3.68 kW	
Fuse protection	1 x 16 A	
Dimensions (width x depth x height)	327 x 515 x 58 mm	
Weight (incl. accessories/ packaging)	7.9 kg	
Cooktop		
Power levels	1 - 9, P	
Warming levels	3	
Front cooking zone (zone 1) power setting	230 x 230 mm	2100 W 3680 W
Rear cooking zone (zone 2) power setting	230 x 230 mm	2100 W 3680 W
Cooktop energy consumption		
Front cooking zone (zone 1)	230 x 230 mm	182.8 (Wh/kg)
Rear cooking zone (zone 2)	230 x 230 mm	181.1 (Wh/kg)
Cooking zones bridged	230 x 460 mm	207.0 (Wh/kg)
Total (average)		190.3 (Wh/kg)

Tab. 3.2 Technical data CKFI

### Device dimensions CKFI

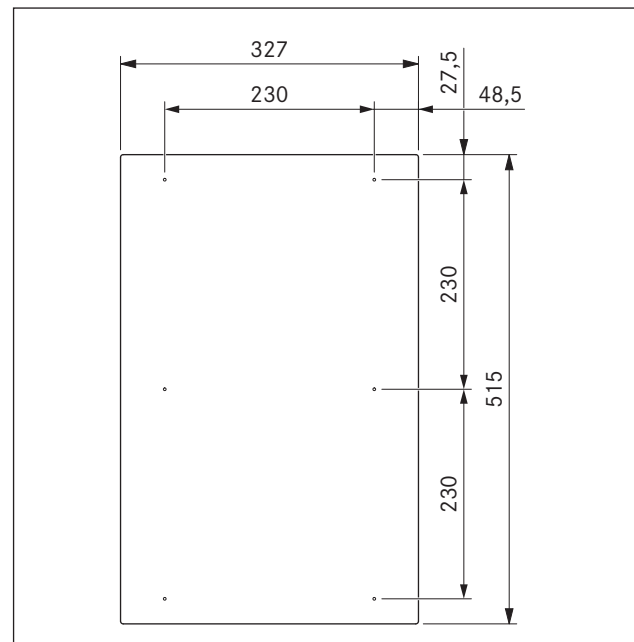


Fig. 3.5 CKFI device dimensions top view

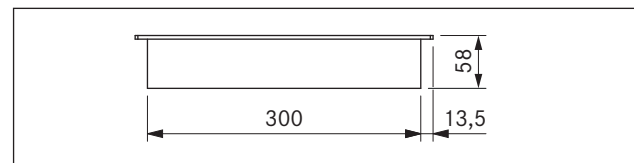


Fig. 3.6 CKFI device dimensions front view

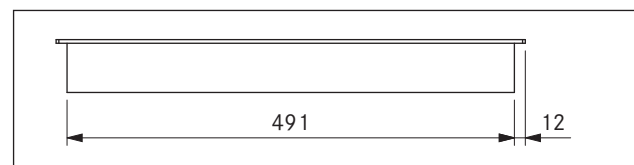


Fig. 3.7 CKFI device dimensions side view

### 3.3 CKI

Parameter	Value	
Supply voltage	220 - 240 V	
Frequency	50/60 Hz	
Power consumption	3.68 kW	
Fuse protection	1 x 16 A	
Dimensions (width x depth x height)	327 x 515 x 58 mm	
Weight (incl. accessories/ packaging)	7.6 kg	
Cooktop		
Power levels	1 - 9, P	
Warming levels	3	
Front cooking zone (zone 1) power setting	Ø 230 mm	2300 W 3680 W
Rear cooking zone (zone 2) power setting	Ø 165 mm	1400 W 2200 W
Cooktop energy consumption		
Front cooking zone (zone 1)	Ø 230 mm	180.5 (Wh/kg)
Rear cooking zone (zone 2)	Ø 165 mm	178.7 (Wh/kg)
Total (average)		179.6 (Wh/kg)

Tab. 3.3 Technical data CKI

### Device dimensions CKI

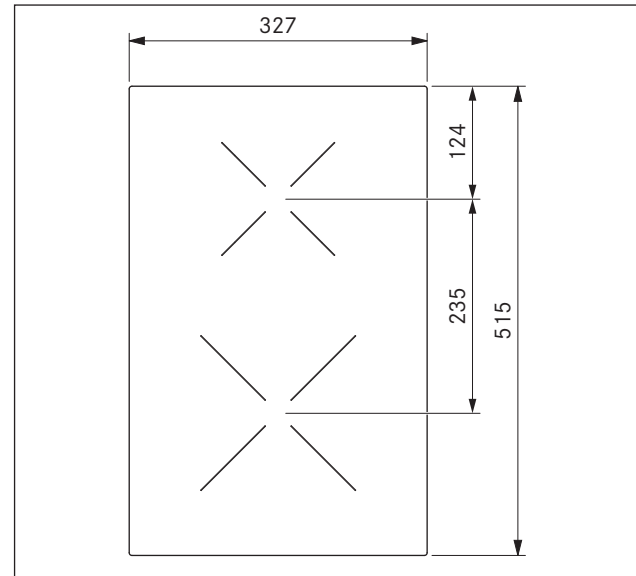


Fig. 3.8 CKI device dimensions top view

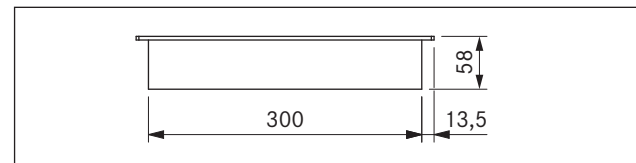


Fig. 3.9 CKI device dimensions front view

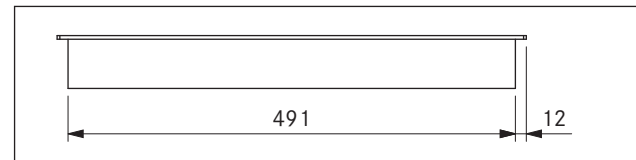


Fig. 3.10 CKI device dimensions side view

### 3.4 CKIW

Parameter	Value				
Supply voltage	220 - 240 V				
Frequency	50/60 Hz				
Power consumption	3.0 kW				
Fuse protection	1 x 16 A				
Dimensions (width x depth x height)	327 x 515 x 116 mm				
Weight (incl. accessories/ packaging)	9.8 kg				
Cooktop					
Power levels	1 - 9, P				
Warming levels	3				
Cooking zone power setting	<table border="0"> <tr> <td>Ø 250 mm</td> <td>2400 W</td> </tr> <tr> <td></td> <td>3000 W</td> </tr> </table>	Ø 250 mm	2400 W		3000 W
Ø 250 mm	2400 W				
	3000 W				

Tab. 3.4 Technical data CKIW

### Device dimensions CKIW

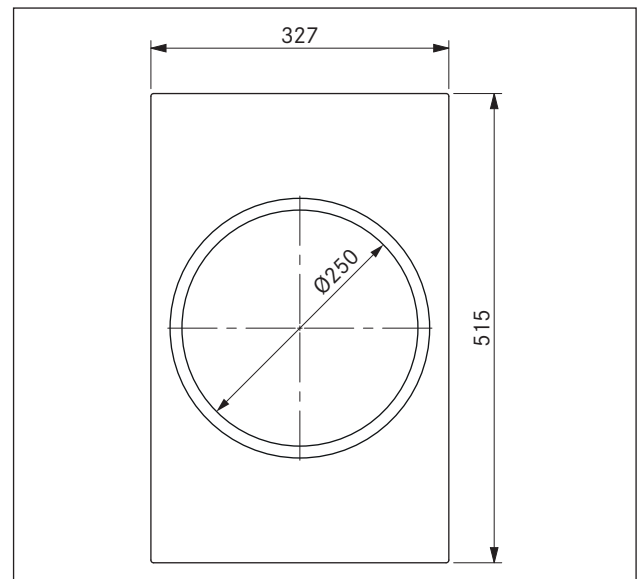


Fig. 3.11 CKIW device dimensions top view

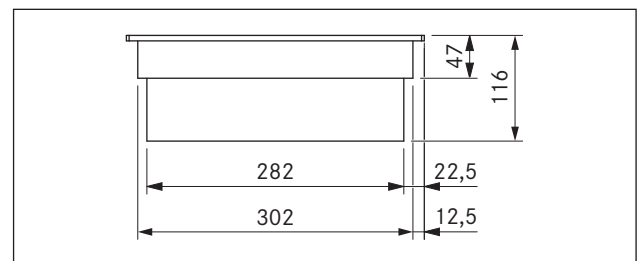


Fig. 3.12 CKIW device dimensions front view

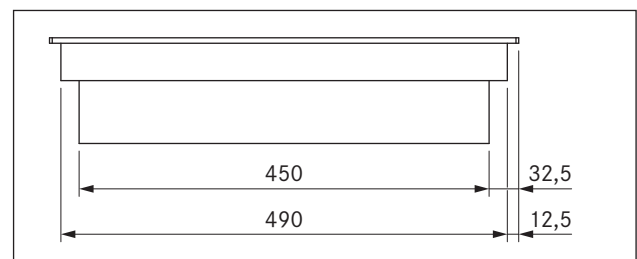


Fig. 3.13 CKIW device dimensions side view

### 3.5 CKCH

Parameter	Value	
Supply voltage	220 - 240 V	
Frequency	50/60 Hz	
Power consumption	3.68 kW	
Fuse protection	1 x 16 A	
Dimensions (width x depth x height)	327 x 515 x 75 mm	
Weight (incl. accessories/ packaging)	7.2 kg	
Cooktop		
Power levels	1-9, P, 2-ring additional switching	
Warming levels	3	
Front cooking zone (zone 1) power setting	Ø 215 mm	2100 W 3000 W
Rear cooking zone (zone 2) 2-ring connection	Ø 120 mm Ø 180 mm	600 W 1600 W
Cooktop energy consumption		
Front cooking zone (zone 1)	Ø 215 mm	191.3 (Wh/kg)
Rear cooking zone (zone 2)	Ø 120/180 mm	197.6 (Wh/kg)
Total (average)		194.5 (Wh/kg)

Tab. 3.5 Technical data CKCH

### Device dimensions CKCH

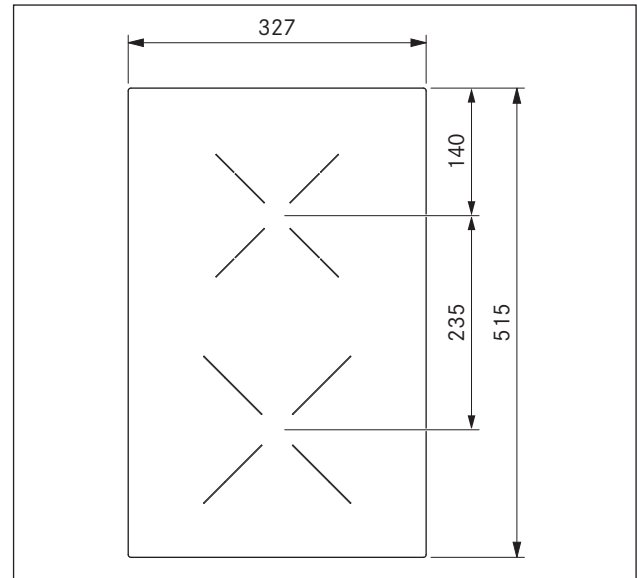


Fig. 3.14 CKCH device dimensions top view

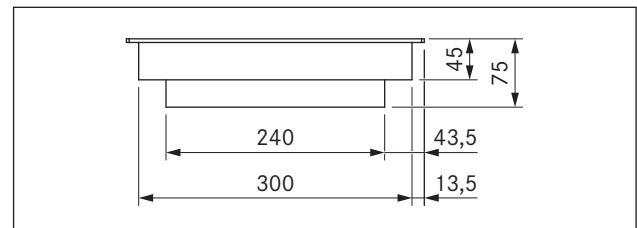


Fig. 3.15 CKCH device dimensions front view

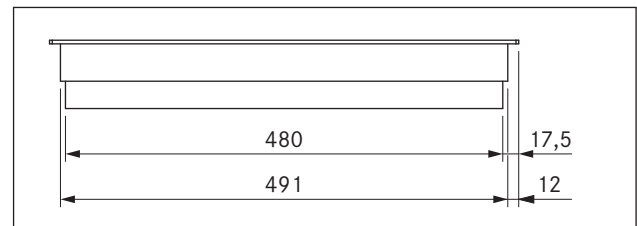


Fig. 3.16 CKCH device dimensions side view

### 3.6 CKCB

Parameter	Value
Supply voltage	220 - 240 V
Frequency	50/60 Hz
Power consumption	3.68 kW
Fuse protection	1 x 16 A
Dimensions (width x depth x height)	327 x 515 x 75 mm
Weight (incl. accessories/ packaging)	7.4 kg
Cooktop	
Power levels	1-9, 2-ring connection, roaster cooking zone connection
Warming levels	3
Front cooking zone (zone 1)	Ø 180 mm 1600 W
Rear cooking zone (zone 2)	Ø 120 mm 600 W 1600 W
2-ring connection, roaster cooking zone connection	Ø 180 mm 3680 W
	Ø 180 x 410 mm
Cooktop energy consumption	
Front cooking zone (zone 1)	Ø 180 mm 193.4 (Wh/kg)
Rear cooking zone (zone 2)	Ø 120/180 mm 195.5 (Wh/kg)
	Ø 180 x 410 mm
Total (average)	194.4 (Wh/kg)

Tab. 3.6 Technical data CKCB

### Device dimensions CKCB

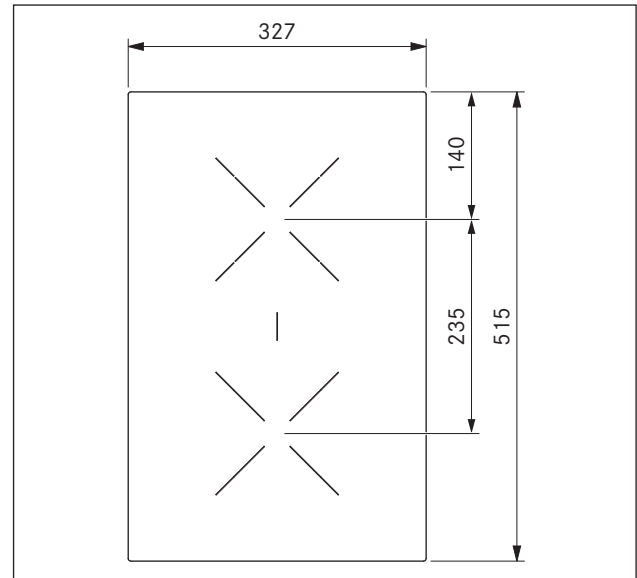


Fig. 3.17 CKCB device dimensions top view

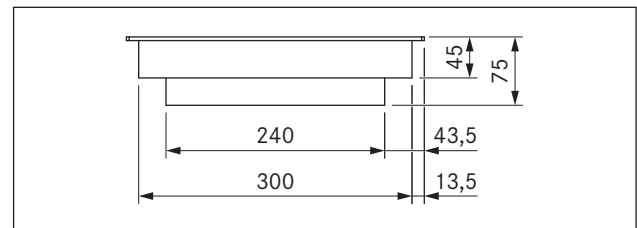


Fig. 3.18 CKCB device dimensions front view

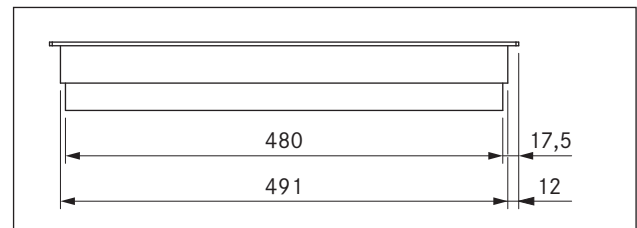


Fig. 3.19 CKCB device dimensions side view

### 3.7 CKT

Parameter	Value
Supply voltage	220 - 240 V
Frequency	50/60 Hz
Power consumption	3.5 kW
Fuse protection	1 x 16 A
Dimensions (width x depth x height)	327 x 515 x 73 mm
Weight (incl. accessories/ packaging)	13.6 kg
Cooktop	
Temperature control (power levels)	150 - 230 °C, 250 °C (1-9, P)
Warming levels	3
Front cooking zone (zone 1)	250 x 220 mm 1750 W
Rear cooking zone (zone 2)	250 x 220 mm 1750 W
Temperature control range	70 - 250 °C

Tab. 3.7 Technical data CKT

### Device dimensions CKT

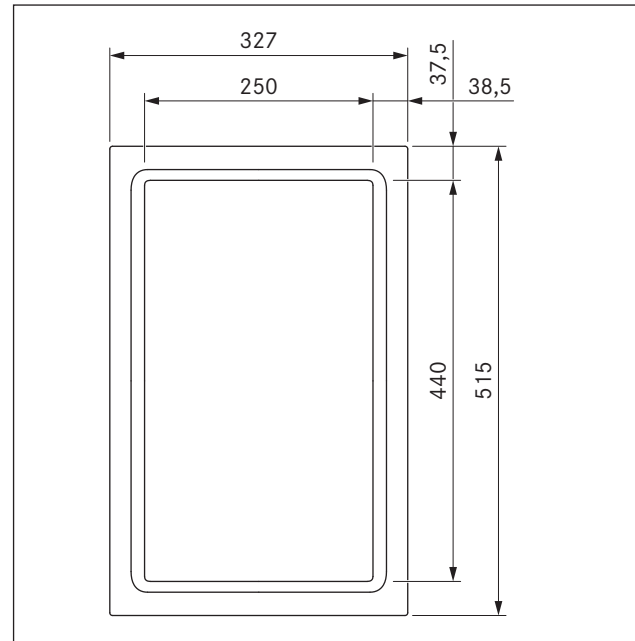


Fig. 3.20 CKT device dimensions top view

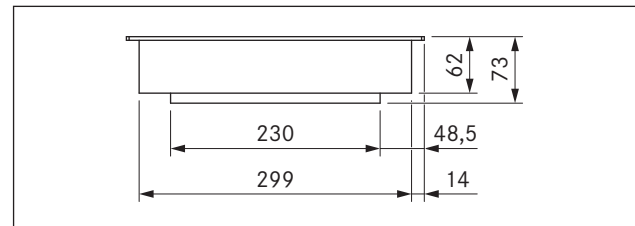


Fig. 3.21 CKT device dimensions front view

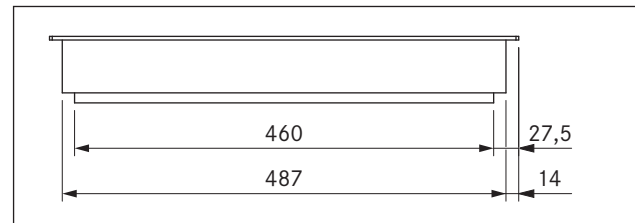


Fig. 3.22 CKT device dimensions side view



## 4 Installation

- ▶ Observe all safety and warning information (see the Safety chapter).
- ▶ Follow the enclosed manufacturer's information.

### 4.1 General installation information

**INFO** The appliances must not be installed above cooling devices, dishwashers, stoves, ovens, washing machines or dryers.

**INFO** The contact surfaces of the worktops and wall sealing strips must be made of a heat-resistant material (up to approx. 100 °C).

**INFO** Worktop cut-outs must be moisture-sealed using suitable means and, where necessary, fitted with a thermal insulator.

**INFO** External devices may only be connected to the cooktop extractor connections provided.

**INFO** Extremely bright lights aimed directly at the appliances can cause colour variations in the appliances and are thus to be avoided.

#### 4.1.1 Operating the cooktop extractor with a fireplace that depends on the air in the room

**INFO** The state and regional laws and regulations must be observed with regard to the exhaust duct design.

**INFO** A sufficient air supply must be ensured.

Fireplaces that depend on the air in the room (e.g. gas, oil, wood or coal-fired heaters, continuous-flow water heaters, instantaneous water heaters) draw in air from the room in which they are installed and release the exhaust fumes into the outside air via an exhaust system (e.g. chimney).

If the cooktop extractor is used in exhaust mode, it draws in air from the room in which it is installed as well as from neighbouring rooms. Without sufficient air, there will be a drop in air pressure. Toxic gases could be drawn out of the chimney or extraction ducting and back into the room.

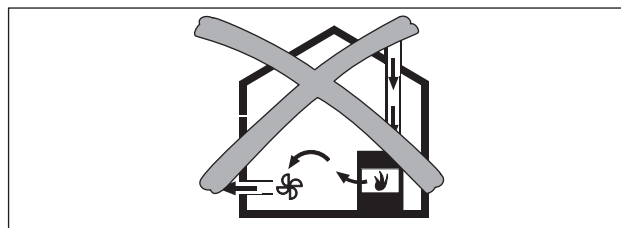


Fig. 4.1 Exhaust air installation – not permitted

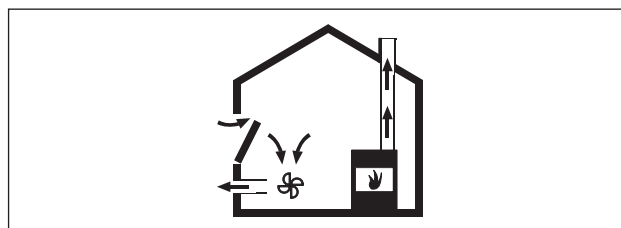


Fig. 4.2 Exhaust air installation – correct

- ▶ If simultaneously operating both a fireplace and the cooktop extractor in the same room, ensure that:
  - the maximum low pressure is 4 Pa ( $4 \times 10^{-5}$  bar);
  - a safety device (e.g. window contact switch, low pressure warning device) is used to ensure that a sufficient supply of fresh air is guaranteed;
  - the exhaust air is not be ducted into a chimney that is used for exhaust gases of devices operated with gas or other combustibles;
  - the installation is checked and approved by an authorised certified engineer (e.g. heating engineer).

**INFO** No window contact switches may be installed that separate the control unit from the power supply (phase separation). Only the Home In interface is to be used.

### 4.2 Checking the delivery

- ▶ Make sure the delivery is complete and check it for damage.
- ▶ If there are any missing or damaged parts, please notify BORA After Sales Service.
- ▶ Do not under any circumstances install parts which are damaged.
- ▶ Dispose of transport packaging in the proper manner (see the Decommissioning, disassembly and disposal chapter).

### 4.2.1 Scope of delivery of the cooktop extractor

Scope of delivery CKA2	Quantity
Installation instructions	1
Operating instructions	1
Extractor base module (CKA2GM)	1
Air inlet nozzle (CKA2ED)	1
Grease filter unit (CKA2FFE)	1
Control unit (CKA2SB)	1
Power supply cable (country-specific)	1
Flexible module (CKA2MF)	1
Ferrite sleeve (UFK)	1

Tab. 4.1 Scope of delivery of the cooktop extractor

### 4.2.2 Scope of delivery of the cooktops

Scope of delivery CKFI, CKI, CKIW, CKCH, CKCB, CKT	Quantity
Cooktop	1
Fixing screws	4
Height adjustment plate set	1
Cooktop mounting bracket	4
Automatic extraction system cable	1
<b>Additional scope of delivery CKFI, CKI, CKIW, CKCH, CKCB</b>	
Glass ceramic cleaning instructions	1
Glass ceramic scraper	1
<b>Additional scope of delivery CKT</b>	
Tepan spatula	1

Tab. 4.2 Scopes of delivery of the cooktops

## 4.3 Tools and aids

The following special tools are required to correctly install the system:

- Screwdriver/Torx screwdriver 20
- Black, heat-resistant silicone sealant
- Fine saw

## 4.4 Assembly instructions

### 4.4.1 Safety clearances

- ▶ Maintain the following safety clearances:

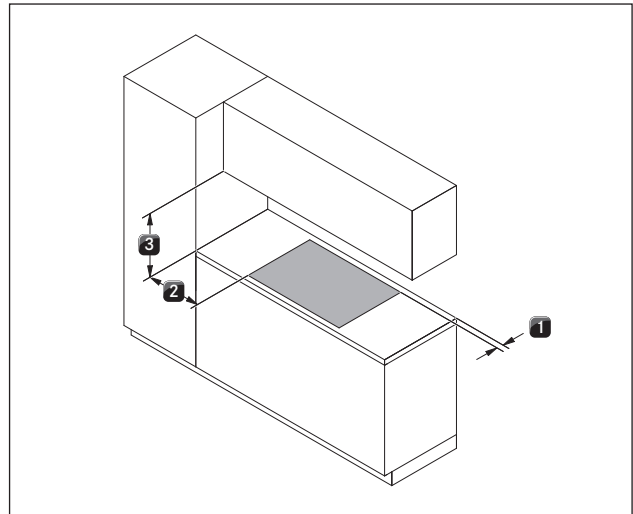


Fig. 4.3 Minimum distance

- [1] Minimum clearance of 50 mm at the front and back from the worktop cut-out to the edge of the worktop.
- [2] Minimum clearance of 300 mm from the left and right of the worktop cut-out to the adjacent cabinet or wall.
- [3] Minimum clearance of 600 mm between the worktop and cabinet above.

### 4.4.2 Worktop and kitchen units

- ▶ Create the worktop cut-out taking into account the specified cut-out dimensions.
- ▶ Make sure that the cut surfaces of the worktops are properly sealed.
- ▶ Comply with the instructions of the worktop manufacturer.
- Cross bars on the kitchen unit in the area of the worktop cut-out may need to be removed.
- No false floor is necessary below the cooktop. If cable protection (false floor) is planned, the following must be taken into account:
  - It must be fitted in such a way that it can be removed for maintenance work.
  - To ensure sufficient cooktop ventilation, a minimum distance of 15 mm to the bottom edge of the cooktop is to be observed.
- The drawers and/or shelves in the floor unit must be removable.
- For correct installation, the slide-in units of the base cabinet must be shortened depending on the installation situation.
- A return flow aperture  $> 500 \text{ cm}^2$  is required in the kitchen units for recirculation devices (e.g. by shortening the plinth boards or using suitable slatted plinths).

## 4.5 Cut-out dimensions

### Worktop overhang

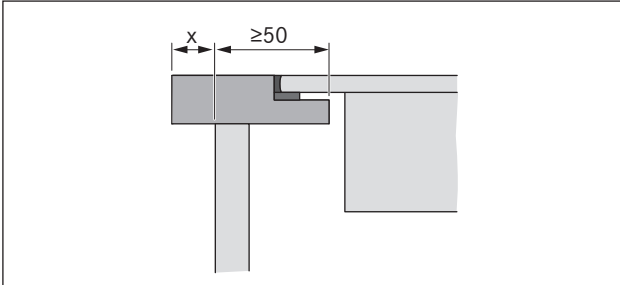


Fig. 4.4 Worktop overhang

► Please note the worktop overhang  $x$  when creating the worktop cut-out.

### 4.5.1 Flush installation

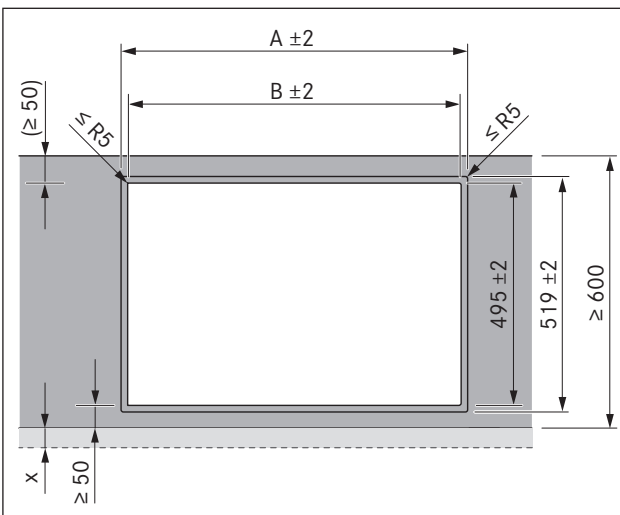


Fig. 4.5 Cut-out dimensions for flush installation

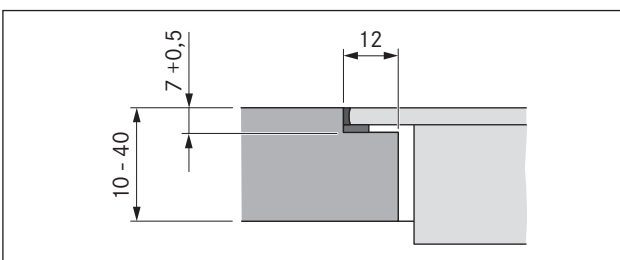
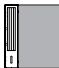

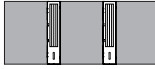



Fig. 4.6 Groove dimensions for flush installation

Cooktops/cooktop extractor	A in mm	B in mm
	1/1	448
	2/1	776
	3/2	1221
	4/2	1549

Tab. 4.3 Cut-out dimensions of the appliance combinations in the case of flush installation

### 4.5.2 Surface mounting

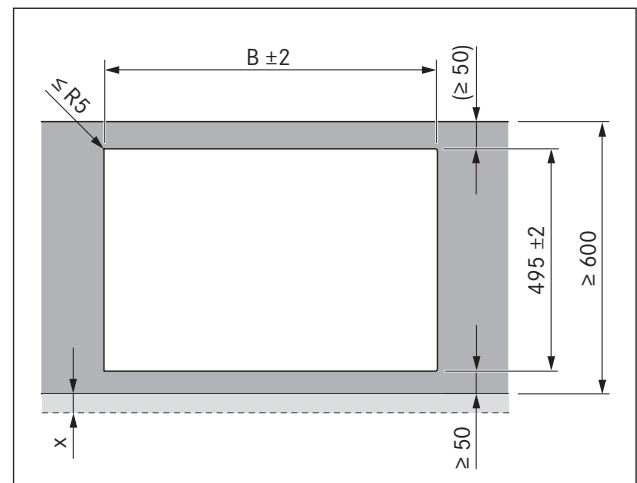


Fig. 4.7 Cut-out dimensions for surface mounting

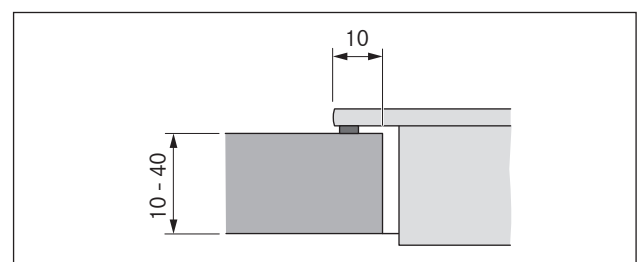
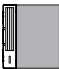
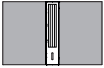




Fig. 4.8 Dimension of support for surface mounting

Cooktops/cooktop extractor		B in mm
	1/1	424
	2/1	752
	3/2	1197
	4/2	1525

Tab. 4.4 Cut-out dimensions of the appliance combinations in the case of surface mounting

### 4.6 Installation dimensions

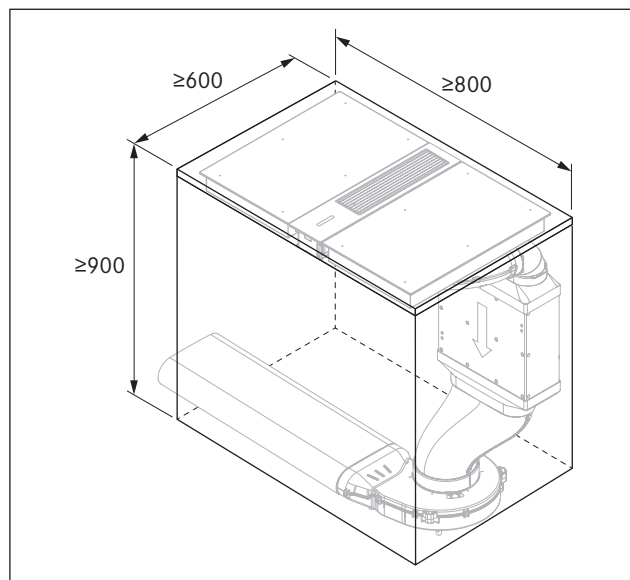


Fig. 4.9 Minimum installation dimensions with shallow silencer USDF

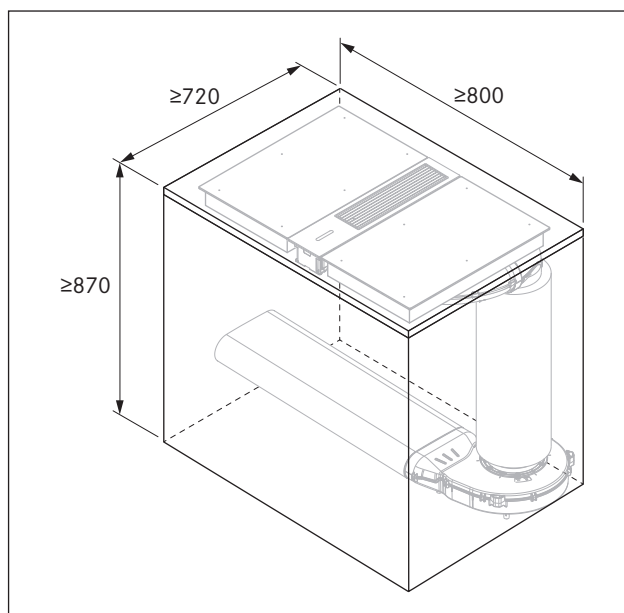


Fig. 4.10 Minimum installation dimensions with round silencer USDR50

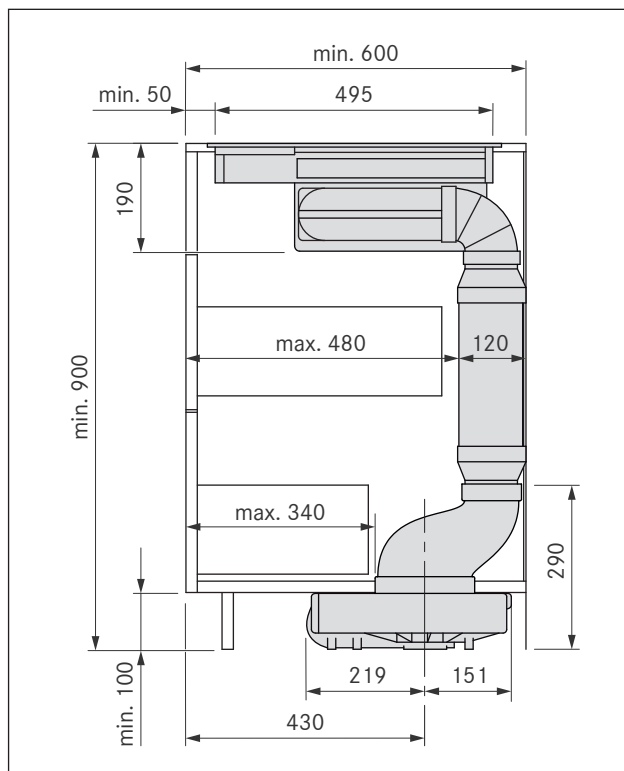


Fig. 4.11 Appliance installation dimensions with shallow silencer USDF in case of a unit depth of 600 mm

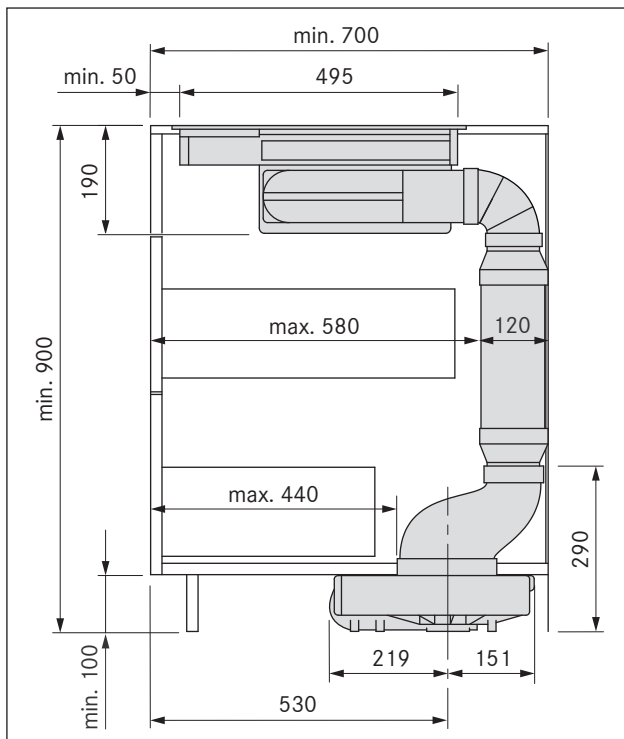


Fig. 4.12 Appliance installation dimensions with shallow silencer USDF in case of a unit depth of 700 mm

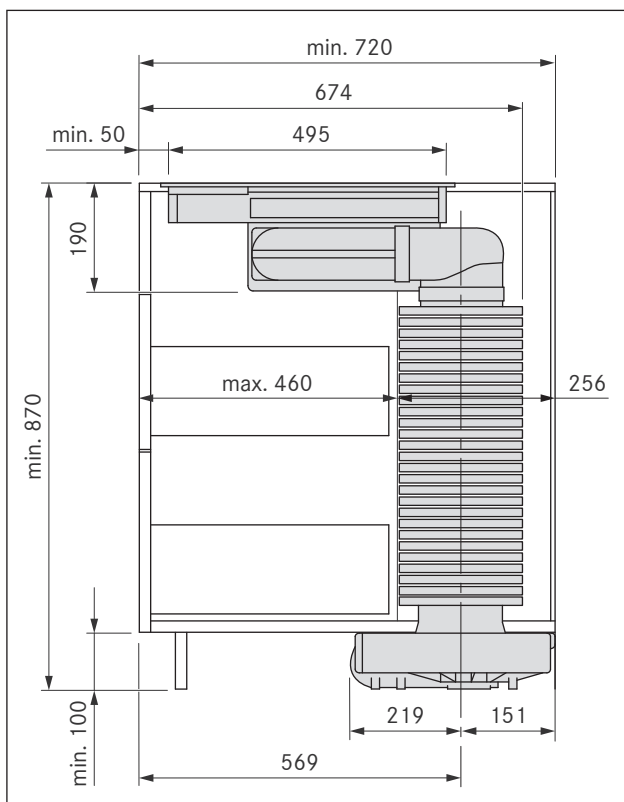


Fig. 4.13 Appliance installation dimensions with round silencer USDR50

## 4.7 Installation options

**INFO** The BORA Classic 2.0 system offers different installation options. It is necessary to decide which installation option is to be implemented prior to installation.

- ▶ Please ensure prior to installation that you have made the correct preparations for the corresponding installation.
- ▶ In the event of any queries regarding the planned installation option, please contact your kitchen planner.

### Installation option overview

**INFO** The installation options shown below can be fitted on the right or left-hand side.

The following airflow options can be implemented with the BORA Classic 2.0 system:

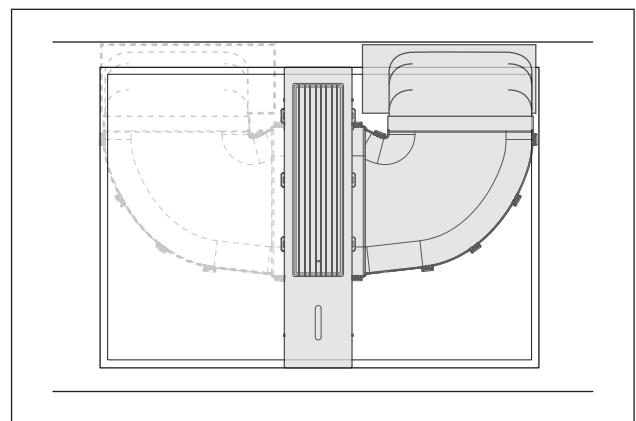


Fig. 4.14 Airflow towards the rear (right or left)

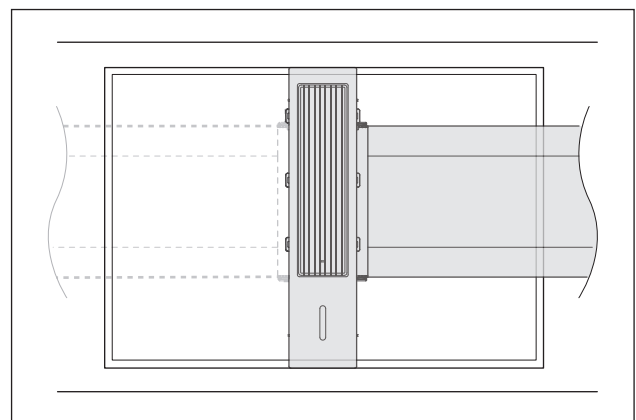


Fig. 4.15 Straight airflow towards the side (right or left)

## 4.8 Assembling the extraction system

**INFO** Cooktop extractor CKA2 is delivered as individual parts which must be assembled prior to or during installation.

**INFO** The individual components must be assembled according to the installation option.

**INFO** All individual components are built in such a way that they can be assembled without any difficulty. The parts can only be assembled correctly and without applying force if they are aligned correctly.

- ▶ Assemble the individual parts as required for the planned installation option.
- ▶ Make sure that the parts are aligned correctly.
- ▶ Do not force the parts together.
- If not aligned correctly, the parts cannot be assembled easily (solve this by turning or rotating the part).
- ▶ Make sure that all locks click into place.

### 4.8.1 Assembling cooktop extractor CKA2

There are two different models of cooktop extractor CKA2, depending on the planned airflow:

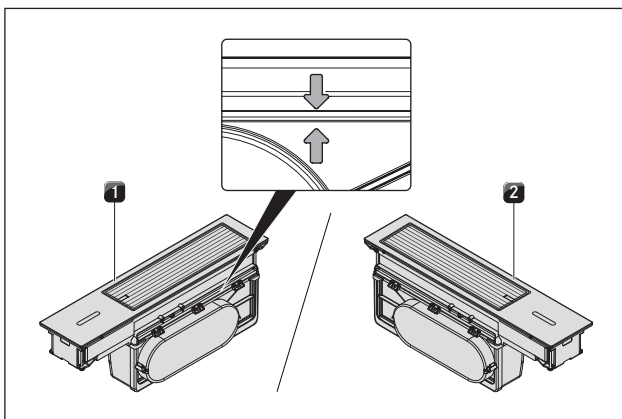


Fig. 4.16 Assembled cooktop extractor CKA2

- [1] Cooktop extractor CKA2 for airflow towards the right  
 [2] Cooktop extractor CKA2 for airflow towards the left

**INFO** If the adapter panel is fitted correctly, the duct connection will always be at the front on both models (facing the user).

**INFO** You can check that the adapter panel has been fitted correctly by looking at the arrow markings on the panel and the base module. These must be correctly aligned.

## Assembling the individual components

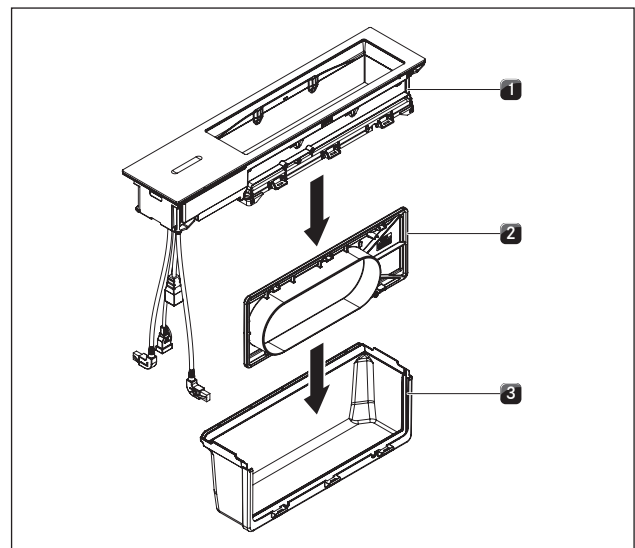


Fig. 4.17 Assembling the individual components on cooktop extractor CKA2

- [1] Extractor base module  
 [2] Adapter panel with O-ring seal  
 [3] Connection module

### Assemble the adapter panel:

- ▶ Position the connection module [3] facing the left or right depending on the planned installation option.
- ▶ Check that the adapter panel [2] seal is positioned correctly.
- ▶ Position the adapter panel [2] in such a way that the duct connection is facing left or right as required.
- ▶ Insert the adapter panel [2] into the connection module [3] from above.
- ▶ To do this, slide the adapter panel into the slots on the connection module [3].
- ▶ Do not use force to assemble the parts.
- ▶ Ensure that the lock clicks into place.

### Assemble the base module:

- ▶ Place the base module [1] on top of the connection module [3] with its adapter panel [2] already fitted.
- ▶ Do not use excessive force to assemble the parts.
- ▶ Ensure that the lock clicks into place.
- ▶ Check that all components are positioned correctly.
- ▶ Check that the clearance inside the extractor is even.

## 4.9 Installing the cooktop extractor

**INFO** Clearance of one millimetre should be planned between the appliances.

**INFO** In the case of flush installation, a clearance of two millimetres should be planned around the appliances.

- Cross bars on the kitchen unit in the area of the worktop cut-out may need to be removed.
- The drawers and/or shelves in the floor unit must be removable for maintenance and cleaning purposes.
- ▶ Make sure that the area at the front of the floor unit is sufficiently ventilated with clean air.
- ▶ Make sure that the floor unit is not soiled by the ventilation openings.

#### 4.9.1 Recirculation when using the cooktop extractor as a recirculation system

In the case of recirculation systems there must be a return flow aperture in the kitchen units:

- > 500 cm<sup>2</sup> in combination with cooktops CKFI, CKI, CKIW, CKCH, CKCB and CKT

For recirculation, the necessary return flow aperture can be created using a shortened plinth. A slatted plinth with at least the minimum opening cross-section can also be used.

- ▶ Ensure that the return flow aperture is large enough.

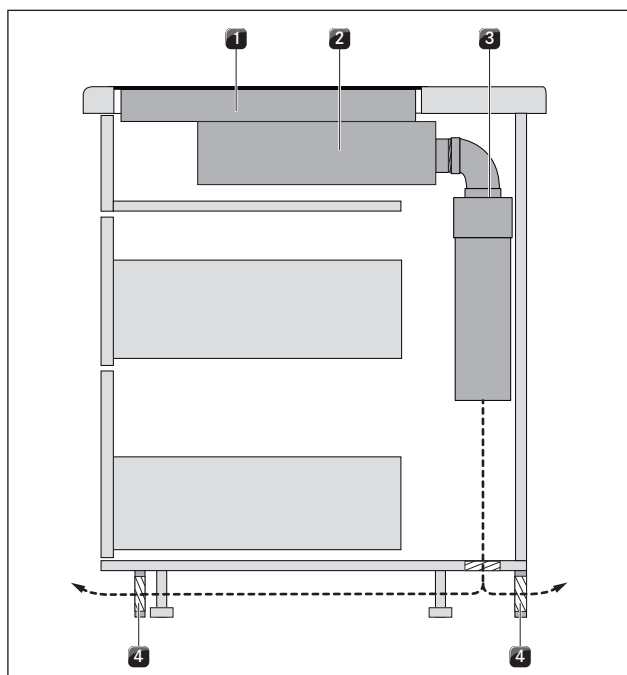


Fig. 4.18 Recirculation design example (kitchen island + cooktop + CKA2 + air cleaning unit)

- [1] Cooktop
- [2] Cooktop extractor CKA2 (recirculation)
- [3] Air cleaning unit (ULB1, ULB3, ULBF)
- [4] Recirculation return flow aperture

#### 4.9.2 Fitting and positioning the cooktop extractor

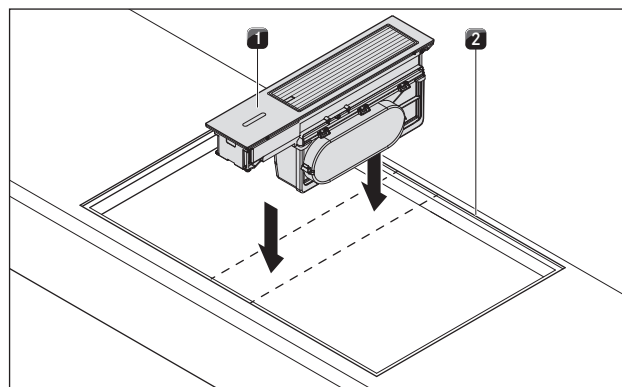


Fig. 4.19 Insert the cooktop extractor in the worktop cut-out.

- [1] Cooktop extractor
- [2] Worktop cut-out

- ▶ Place the cooktop extractor [1] in the middle of the worktop cut-out [2].
- ▶ Position the cooktop extractor [1] with precision.

#### Adjusting the installation height (only in the case of flush installation)

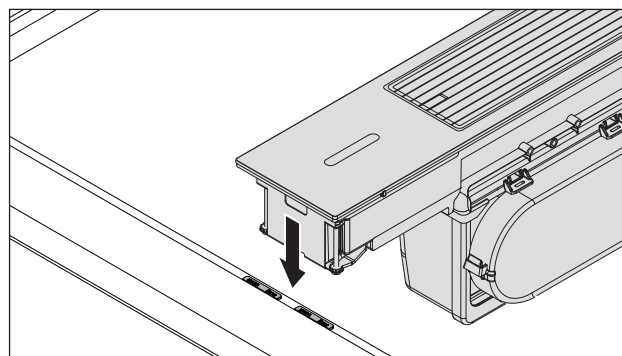


Fig. 4.20 Height adjustment plates for flush installation

- [1] Height adjustment plate
- [2] Cooktop extractor

- ▶ In flush installation, if necessary, lay height adjustment plates [1] underneath in order to adapt the installation height of the cooktop extractor [2] to the rebate depth.

## 4.10 Installing the duct system

**INFO** The duct system must be fitted to the cooktop extractor free of load and with the power supply switched off.

**INFO** Please bear in mind that for correct installation, the slide-in units of the base cabinet can be shortened depending on the installation situation.

**INFO** When attaching the seals, ensure that an airtight seal is created with the connection duct piece when the seals are compressed.

- The maximum exhaust air duct length with a fan is 6 m.
- The minimum cross-section of the air ducts must be 176 cm<sup>2</sup>, which equates to a round pipe with a diameter of 150 mm or the BORA Ecotube duct system.
- ▶ Use only BORA Ecotube duct parts.
- ▶ Do not use flexible or fabric hoses.

### 4.10.1 Fitting the duct system to cooktop extractor CKA2

**INFO** The floor unit must not be supported on the plinth fan housing. The plinth fan must be installed free of load and with the power supply switched off.

**INFO** The plinth fan must only be installed horizontally.

**INFO** Position the plinth fan and control unit in such a way that they cannot be easily accessed by the user under normal operating conditions (e.g. behind the plinth panel).

#### Preparations

- ▶ Adjust the ducting parts to the height of the worktop.
- ▶ Saw out the necessary cut-outs for the ducting in the rear panel of the floor unit.
- ▶ Depending on the installation situation, adjust the levelling feet on the floor unit as necessary.

#### Adapting the 90° bend:

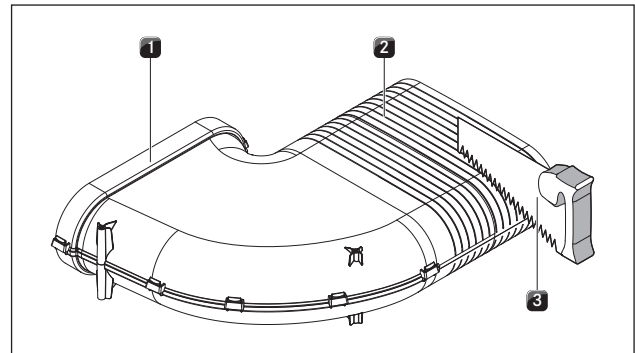


Fig. 4.21 Shortening the 90° bend

- [1] 90° bend
- [2] Cut marks
- [3] Fine saw

- ▶ Adapt the 90° bend [1] to the depth of the worktop if necessary by shortening it accordingly at the cut marks [2] using a fine saw [3].

#### Preparing the plinth fan:

- ▶ Prepare the plinth fan by attaching the sealing tape depending on the installation situation.
- ▶ Secure the sealing tape to the inlet nozzle.

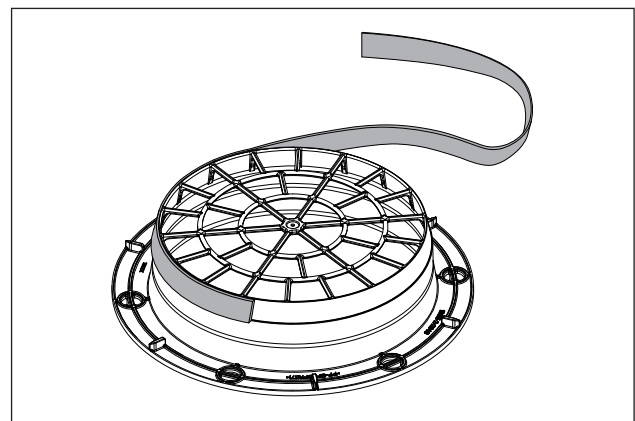


Fig. 4.22 Sealing tape position for installation with a round duct

- Depending on the required connection cross-section, you can vary the height at which the sealing tape is attached to the plinth fan inlet nozzle.

**INFO** If another Universal fan module is to be used, this must also be prepared as described here with sealing tape on the inlet nozzle.



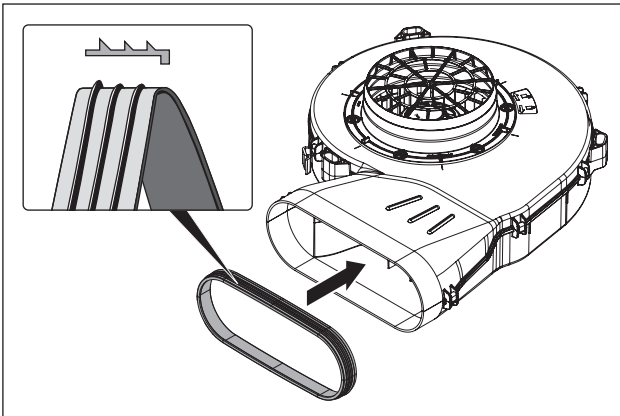


Fig. 4.23 Attach the seal to the plinth fan outlet nozzle.

- ▶ Push the seal onto the plinth fan outlet nozzle. The seal will need to be stretched slightly.

### Connecting the duct system

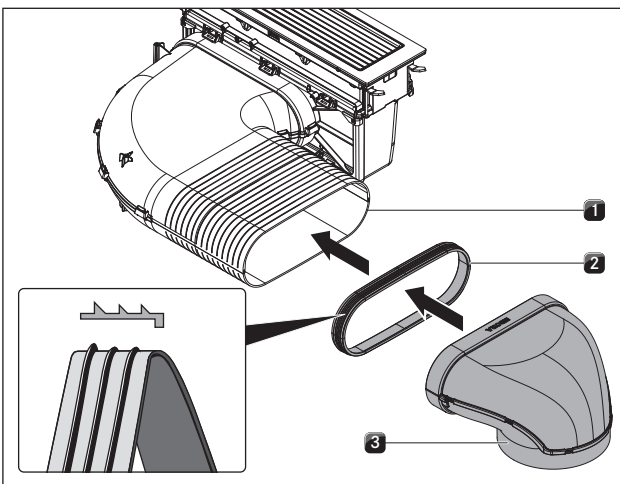


Fig. 4.24 Duct system connection

- [1] Output nozzles
- [2] Seal
- [3] Duct part

- ▶ Pull the seal [2] onto the outlet nozzle [1] on the appliance. The seal [2] will need to be stretched slightly.
- ▶ Push the duct part to be connected [3] with the coupling onto the outlet nozzle [1] with the seal [2].
- ▶ Ensure that the seal [2] is not displaced.

### Example of a standard set-up

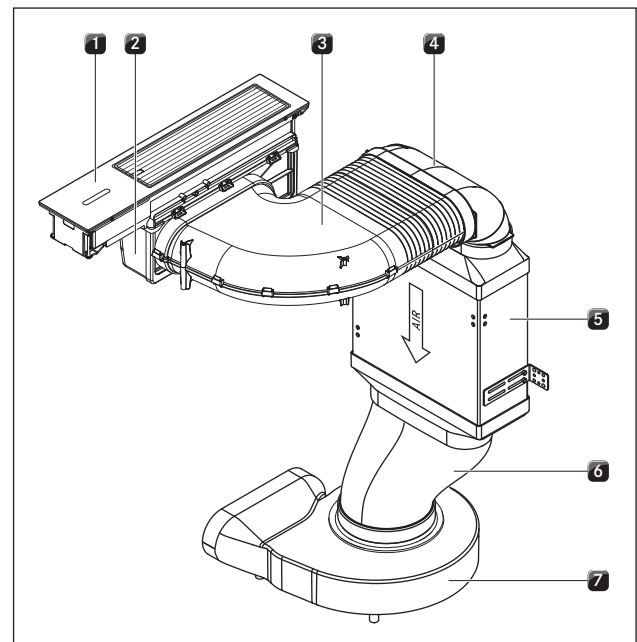


Fig. 4.25 Cooktop extractor CKA2 standard set-up

- [1] Cooktop extractor CKA2
- [2] Connection module with built-in adapter panel
- [3] 90° bend
- [4] BORA Ecotube 90° bend shallow vertical EFBV90
- [5] BORA shallow silencer USDF
- [6] BORA Ecotube transition piece shallow round offset EFRV
- [7] BORA plinth fan ULS

- ▶ Attach the 90° bend [3] to the connection module with built-in adapter panel [2].
- ▶ Position the plinth fan [7].
  - To facilitate positioning, the inlet nozzle on the plinth fan can be removed. To do this, please see the assembly instructions for the BORA plinth fan ULS.
- ▶ Connect the shallow silencer USDF [5] to the BORA Ecotube transition piece EFRV [6].
- ▶ Secure the shallow silencer using the mounting brackets included in the scope of delivery.
  - Securing the shallow silencer prevents a force effect on the cooktop extractor during further assembly of the duct system.
- ▶ Ensure that all connections are provided with suitable BORA Ecotube seals and that the seals are airtight.
  - You can optimally stick the connections between the ducting sections and the plinth fan together with UDB sealing tape.

### 4.10.2 Installing the additional fan

**INFO** The maximum exhaust air duct length with a fan is 6 m.

- ▶ Install an additional fan in the exhaust duct if necessary.
- ▶ Ensure that a minimum clearance of 3 m is maintained between the fan units.
- ▶ Use only BORA Universal fans.

**If additional fans are installed at a later date:**

- ▶ When installing additional fans at a later date, carry out the initial operation procedure (see Initial operation).
- In the basic configuration, any fans installed at a later date are automatically recognised provided that they have been connected correctly. The system configuration is adjusted accordingly.

## 4.11 Installing the cooktops

**INFO** Clearance of one millimetre should be planned between the appliances.

**INFO** In the case of flush installation, a clearance of two millimetres should be planned around the appliances.

- Cross bars on the kitchen unit in the area of the worktop cut-out may need to be removed.
- The drawers and/or shelves in the floor unit must be removable for maintenance and cleaning purposes.
- In the case of induction appliances, make sure that the area below the cooktop is sufficiently ventilated. There should be an opening cross-section  $> 50 \text{ cm}^2$  at the front side and in the false floor for ventilation.

### 4.11.1 Fitting and positioning the cooktops

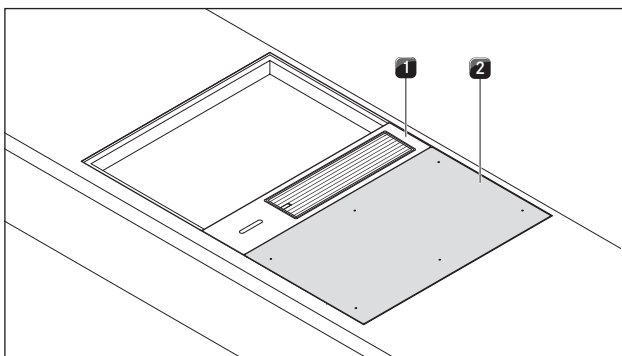


Fig. 4.26 Cooktop fitted next to the cooktop extractor

- [1] Cooktop extractor
- [2] Cooktop

- ▶ Place the cooktop [2] next to the centrally-positioned cooktop extractor [1].

- ▶ Align the cooktop [2] exactly.
- ▶ Push the cooktop [2] right up to the cooktop extractor [1].
- When the cooktop is pushed up against the side of the cooktop extractor, spacers automatically provide the prescribed 1 mm clearance.

### Adjusting the installation height (only in the case of flush installation)

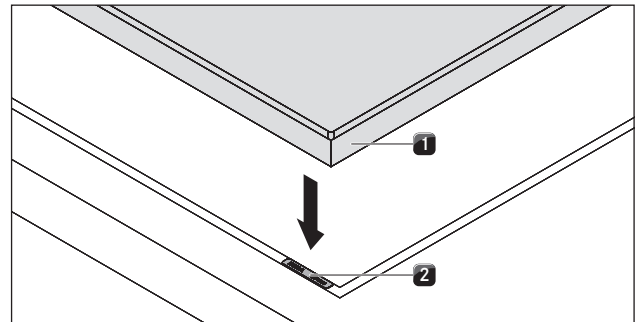


Fig. 4.27 Cooktop and height adjustment plates

- [1] Cooktop
- [2] Height adjustment plates

- ▶ Adapt the cooktop [1] installation height to the level of the cooktop extractor using the height adjustment plates [2].

**INFO** When installing the cooktops it must be taken into account that the appliances only have 4 support points and the height adjustment plates must be positioned accordingly. This particularly applies to the Tepan stainless steel grill CKT.

### 4.11.2 Securing the cooktop extractor

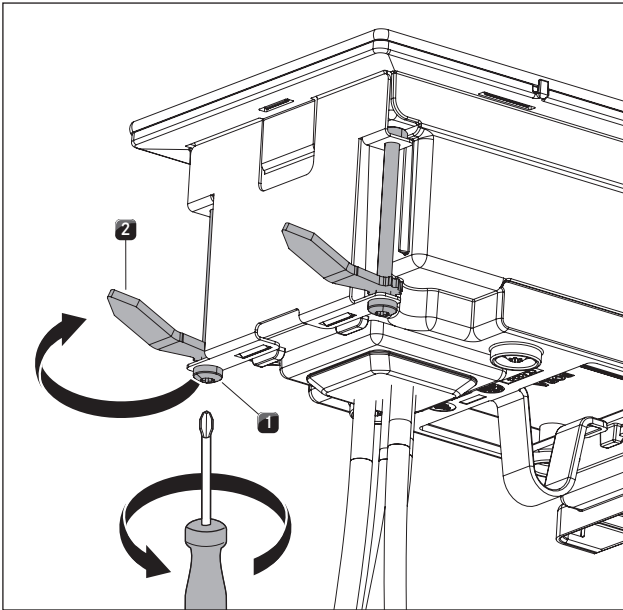


Fig. 4.28 Securing the cooktop extractor

- [1] Tensioning screw
- [2] Fixing bracket

- ▶ Turn the four fixing brackets [2] under the worktop.
- The fixing brackets are secured against slipping by a ratchet mechanism.
- ▶ Tighten the tensioning screws [1] with max. 2 Nm.
- ▶ Do not use a cordless screwdriver or similar electrical device to secure the cooktop extractor.
- ▶ Check that the cooktop extractor is positioned correctly.

### 4.11.3 Securing the cooktops

#### Cooktops CKFI, CKI, CKIW, CKCH, CKCB

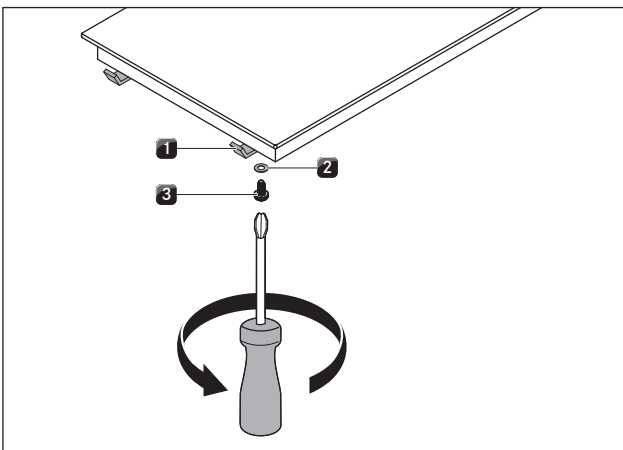


Fig. 4.29 Securing the cooktops

- [1] Mounting brackets
- [2] Washer
- [3] Screw

- ▶ Secure the cooktop using the mounting brackets [1].
- ▶ To do this, tighten the mounting brackets with a screw [3] using the washers [2] with max. 2 Nm.
- ▶ Do not use a cordless screwdriver or similar electrical device to secure the cooktops.
- ▶ Check that the alignment and installation height are correct.

### Tepan stainless steel grill CKT

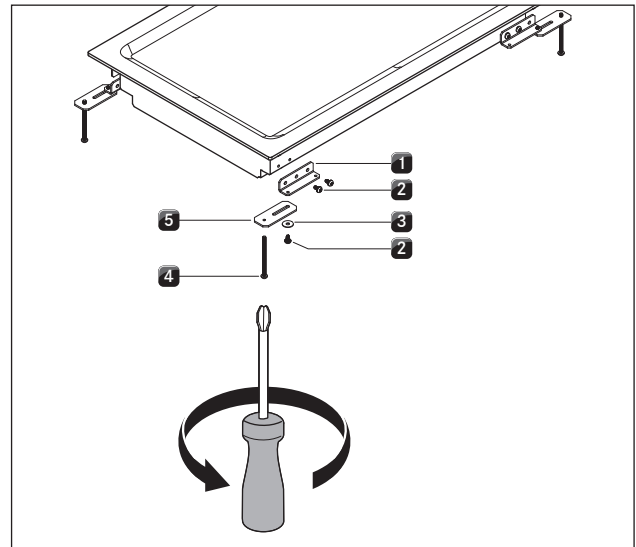


Fig. 4.30 Securing the Tepan stainless steel grill

- [1] Angled plates
- [2] Screws
- [3] Washer
- [4] Screw (60 mm)
- [5] Mounting brackets

**INFO** Before the Tepan stainless steel grill can be laid in the cut-out, the 4 angled plates [1] must be fitted.

- ▶ Secure the cooktop using the mounting brackets [2].
- ▶ To do this, tighten the mounting brackets with the screws [3] and [4] using the washer [2] with max. 2 Nm.
- ▶ Do not use a cordless screwdriver or similar electrical device to secure the Tepan stainless steel grill
- ▶ Check that the alignment and installation height are correct.

## 4.12 Connecting external switch contacts

**INFO** The Home In and Home Out communication connections must only be connected by a certified specialist. The specialist also assumes responsibility for the proper installation and commissioning.

When using Home In and Home Out, you will require the relevant documents for the external switch devices in order to ensure safe device connection and operation. The following switch contacts can be used:

Contact	Function	Connection
Home In	Cooktop extractor on/off connection for external switch contact (contact closed: cooktop extractor on)	24V DC 100 mA
Home Out	Electrically isolated contact for controlling external installations depending on the operating status of the cooktop extractor (cooktop extractor on: contact closed)	maximum 250 VAC/30 VDC, 2.5A

Tab. 4.5 Switch contacts

**INFO** The Home In contact can be used for external safety devices (e.g. window contact switches). If the switch is open, the cooktop extractor is off.

**INFO** No window contact switches may be installed that interrupt the control unit power supply (phase separation). Only the built-in interface is to be used.

### Preparing the control unit

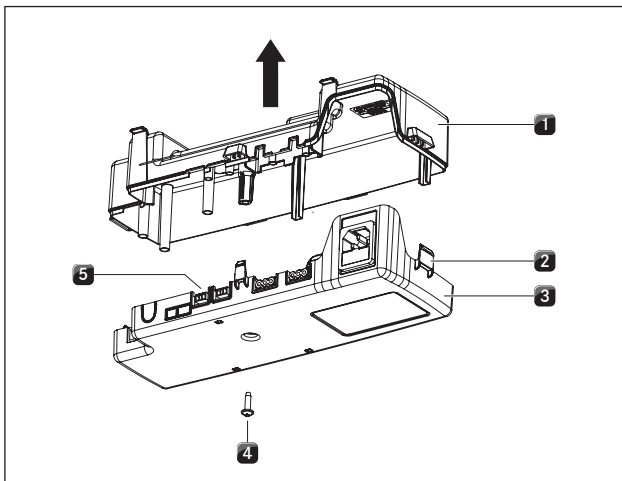


Fig. 4.31 Opening the control unit housing cover

- [1] Housing cover
- [2] Locks
- [3] Housing subshell

- [4] Screw
- [5] Electronic unit

- ▶ Ensure that the control unit is disconnected from the power supply.
- ▶ Loosen the screw [4] on the housing cover [1].
- ▶ Carefully release all locks [2] with a slotted screw driver.
- ▶ Remove the housing cover [1] from the housing subshell [3] by lifting it up.
- ▶ Do not touch the electronic unit [5].

**INFO** The electronic unit can contain residual charge. You must therefore be careful not to touch the exposed contacts on the electronic unit.

### Preparing connection cables for external switching equipment

Use connection cables of the following types and manufacturers to connect external switching equipment.

Contact	Connection cable
Home In	H03VV-F 2x 0.5mm <sup>2</sup>
Home Out	H03VVH2-F 2x 0.75mm <sup>2</sup>

Tab. 4.6 Connection cable

**INFO** The connection cable is only intended for internal use in buildings, private households, kitchens or offices!

**INFO** The overall length of the connection cable for external switching equipment must not exceed 10 m!

- ▶ Prepare the connection cable in accordance with the prescribed stripping lengths.

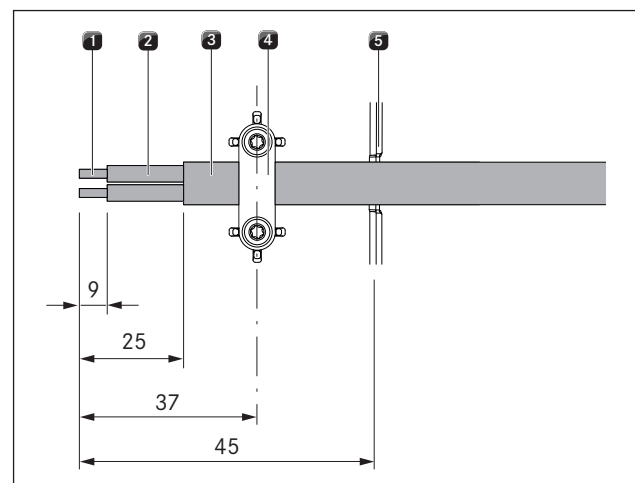


Fig. 4.32 Stripping lengths and installation position of the connection cable

- [1] Stripped wire end
- [2] Insulated wire

- [3] Jacketed cable
- [4] Strain relief clamp
- [5] Cable feed snap-out element

- Please adhere to the maximum stripping length of the individual wires of 9 mm on the stripped wire end [1].
- Please adhere to the maximum stripping length of the outer sheath of 25 mm on the insulated wire [2].

### Installing the external switch device

Depending on the type of switch device, connect the connection cables to either the Home In or the Home Out connection clamp.

- ▶ Adhere to the connection diagram when connecting Home In and Home Out.

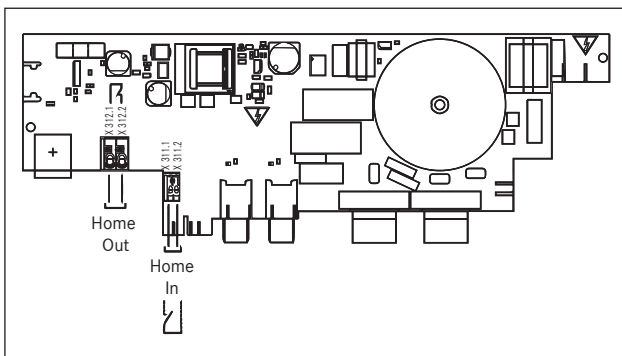


Fig. 4.33 Connection diagram for the external switch contacts

- ▶ Connect the cable for the relevant contact to the switch contact clamp in accordance with the connection diagram.
- In order to connect the Home In interface, the installed bridge must be removed.

**INFO** The Home In contact must be bridged if this is not used (bridged on delivery).

**INFO** For connections to the Home In connection clamp, no ferrules may be used.

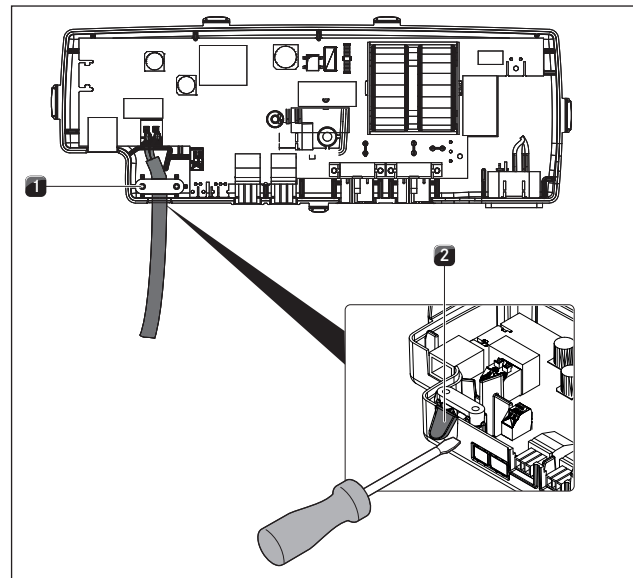


Fig. 4.34 Home Out contacts with strain relief

- [1] Strain relief clamp
- [2] Snap-out element for cable feed

- ▶ Clamp the connection cable in the strain relief clamp [1] in accordance with the wire cross section used.
- ▶ Remove the snap-out element [2] required for the cable feed from the plastic housing of the control unit.

**INFO** If external switching devices are connected both to the Home In and Home Out interfaces, both cables should be secured with the strain relief clamp.

- ▶ Check the correct installation, as well as the firm positioning of the connection cables.
- ▶ Close and secure the control unit cover.
- ▶ Screw down the lid with the screw provided (max. 2 Nm).
- ▶ Make sure that the cable is not damaged or trapped.

## 4.13 Establishing communication and power connection

**INFO** The cooktops of the BORA Classic 2.0 system must only be connected to the central operating unit of the cooktop extractor CKA2. The connections provided are to be used.

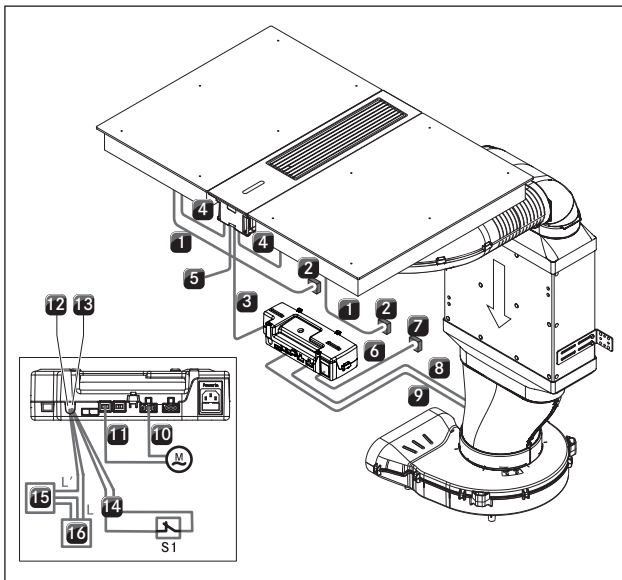


Fig. 4.35 Connection diagram for cooktop extractor CKA2

- [1] Cooktop mains cable
- [2] Power supply per cooktop
- [3] CAT 5e communication cable
- [4] CAT 5e cooktop communication cable
- [5] USB interface
- [6] Control unit mains cable (country-specific)
- [7] Control unit power supply
- [8] Fan 1 mains cable
- [9] Fan 1 control cable
- [10] Fan 2 mains cable
- [11] Fan 2 control cable
- [12] Home Out connection
- [13] Home In connection
- [14] Home In connection cable
- [15] External device
- [16] Power supply cable for external device
- [M] Fan 2
- [S1] External switch contact

### 4.13.1 Establishing contact between the cooktop extractor and cooktops

► Only use the cables supplied in the scope of delivery.

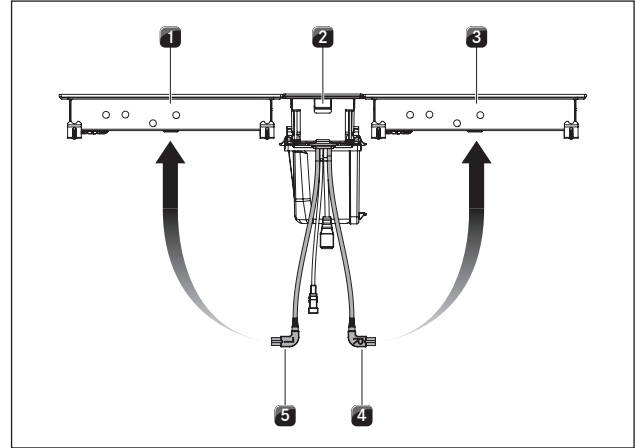


Fig. 4.36 Connecting the control cables to the cooktops

- [1] Left cooktop
- [2] Cooktop extractor
- [3] Right cooktop
- [4] Right cooktop control cable (R)
- [5] Left cooktop control cable (L)

► Connect the cooktop extractor control cables to the adjacent cooktops.

► Ensure that each cable is connected to the correct socket.

■ The right angle connectors of the control cables are labelled L (left) and R (right).

### 4.13.2 Fitting split ferrite sleeves

**INFO** The cooktop extractor connection cable must be filtered with a ferrite sleeve for reasons of electromagnetic compatibility.

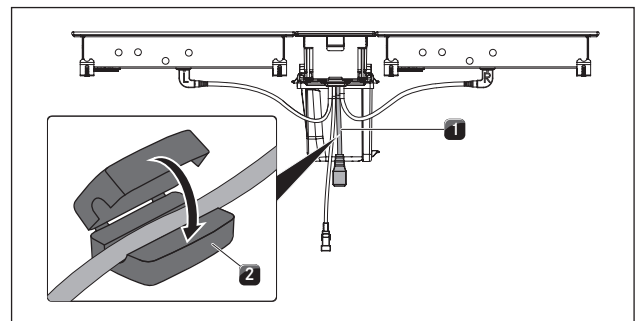


Fig. 4.37 Fitting split ferrite sleeves

- [1] Connection cable
- [2] Split ferrite sleeve

► Fit the split ferrite sleeve [2] provided in the scope of delivery to the connection cable [1].

### 4.13.3 Establishing contact between the operating unit and control unit

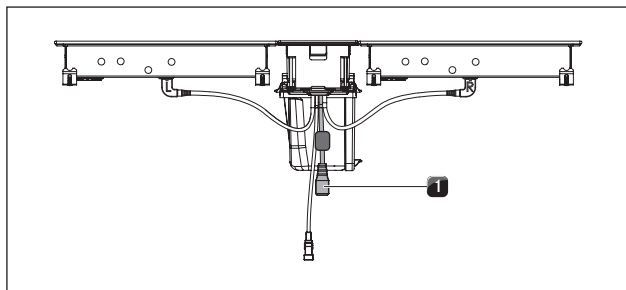


Fig. 4.38 Socket for the CAT 5e communication cable on the operating unit

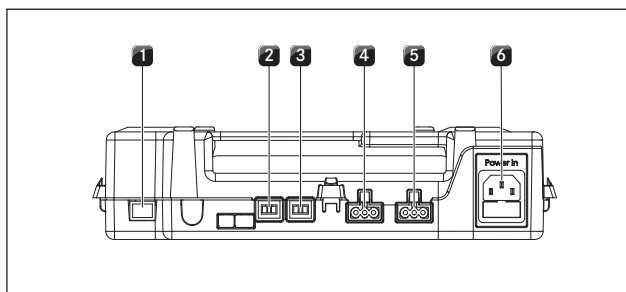


Fig. 4.39 Control unit connections

- [1] CAT 5e communication cable socket
- [2] Control unit socket for fan 1
- [3] Control unit socket for fan 2
- [4] Mains cable socket for fan 1
- [5] Mains cable socket for fan 2
- [6] Mains cable socket with micro fuse

- ▶ Using the CAT 5e communication cable (included in the scope of delivery) link the connections [1] on the operating unit to the control unit.

**INFO** The operating unit is controlled by and receives its power supply via the CAT 5e communication cable.

### 4.13.4 Connecting fans to the control unit

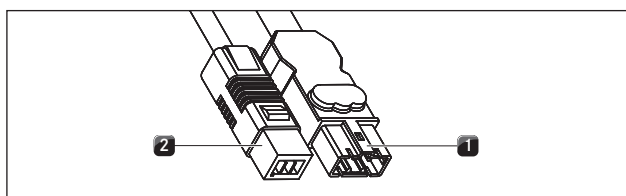


Fig. 4.40 Fan connection plug

- [1] Fan mains cable connection plug
- [2] Fan control cable connection plug

- ▶ Connect the fan control cable [2] to the control unit.
- ▶ Connect the fan mains cable [1] to the control unit.

- When connecting the fan control cable and mains cable it does not matter if you use socket 1 or 2 on the control unit.

### 4.13.5 Positioning the control unit

**INFO** The control unit must be placed inside the kitchen unit.

**INFO** Position the control unit inside the kitchen unit in such a way that it cannot be freely accessed by the user (e.g. behind the plinth panel).

Permitted positions inside the kitchen unit:

- loose on a false floor
- loose on the shallow duct
- mounted on the kitchen unit

**INFO** When positioning the control unit please observe the length of the mains cable (1 m).

### 4.13.6 Connecting to the mains

- ▶ Observe all safety and warning information (see the Safety chapter).
- ▶ Observe all national and regional laws and regulations as well as the supplementary regulations of the local utility companies.

**INFO** The power connection may only be established by certified specialists. The specialist also assumes responsibility for the proper installation and commissioning.

#### Special information for CKT:

**INFO** The Classic Tepan stainless steel grill CKT is intended to be operated on a supply network with an impedance  $Z_{max}$  at the transfer point (mains connection) of 0.1247 ohms maximum. The user is to ensure that the appliance is only operated on a mains supply network which meets this requirement. If necessary, ask the local energy supply company about the system impedance.

#### Cooktop power connection

The mains cable to be used (pre-assembled) must be at least Type H05VV-F.

Connection	Fuse protection	Minimum cross-section
1-phase connection	1 x 16 A	1.5 mm <sup>2</sup>

Tab. 4.7 Fuse protection and minimum cross-section

**INFO** A damaged mains cable must be replaced by another suitable mains cable. This may only be done by an authorised member of the After Sales Service team.

- ▶ Switch off the main switch/automatic circuit breaker before connecting the cooktop.
- ▶ Secure the main switch/automatic circuit breaker against being switched back on without permission.
- ▶ Make sure the power to the appliance is disconnected.
- ▶ Only connect the cooktop using a fixed mains connection.

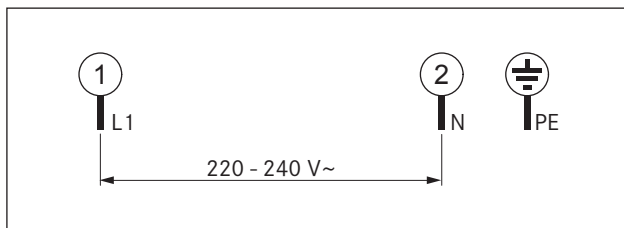



Fig. 4.41 Phase connection circuit diagram

### Connecting the control unit to the power supply

- ▶ Connect the mains cable for the control unit to the mains.
- ▶ Check that installation has been carried out correctly.
- ▶ Switch on the main switch/automatic circuit breaker.


## 4.14 Initial operation

**INFO** You will find detailed operating instructions for the BORA Classic 2.0 system in the operating instructions (see Operation chapter).

- ▶ Ensure that all devices are connected correctly prior to initial operation and are connected to the power supply (fused).
- Exception: During initial operation, the kitchen fitter may use a temporary power supply for the control unit in order to carry out the basic configuration (e.g. using the site power supply during the building phase).
- The settings made are saved and will not be affected when the system is disconnected from the mains.
- The final mains connection to the appliances may only be set up by certified specialists.
- ▶ Start the system (long press on the power button .
- $E_{on}$  angezeigt und das Lüfter-Symbol blinkt rot.
- ▶ Check that all cooktops are displayed according to the way they are installed.
- ▶ To do this, check the display on the operating panel (cooking zone indicators).

#### If cooktops have not been recognised correctly:

If cooktops are not correctly recognised by the system, they will either not be displayed at all or will be shown with an error code  $E$  (also see Operating instructions, Troubleshooting chapter).

- ▶ Switch the system off (long press on the power button .

- ▶ Check the connections
- ▶ Check the power supply
- ▶ Switch the system back on again and check that all cooktops have been correctly recognised.

#### If all cooktops have been recognised correctly:

- ▶ Carry out the basic configuration.

### 4.14.1 Basic configuration

**INFO** When using for the first time, the system must be configured. It is absolutely essential to go through the three menu items of the basic configuration from start to finish.


**INFO** If this process is interrupted before it is completed, the basic configuration must be continued from where you left off the next time the menu is called up.

**INFO** If the basic configuration has not been completed successfully, the corresponding request will be repeated every time the menu is called up.

**INFO** If a menu item is called up, after 2 seconds the system automatically shows the current set value.

**INFO** The system adopts and saves the settings made when you exit the corresponding menu item or when you exit the menu.

#### Carrying out the basic configuration

- ▶ Call up the menu (tap the menu button .
- The menu is called up and the first item in the basic configuration menu is displayed (menu item H).
- ▶ Enter the settings.

#### Aborting the basic configuration manually

- ▶ Long press on the menu button

If you wish to abort the basic configuration process ahead of time, e.g. because fans are not correctly recognised, all menu items that have not been fully completed must be run through again at a later date.

#### Menu item H: $A_{1r}$

The extraction system must be configured.

There are two operating modes to choose from:

- Exhaust air system ( $U_{UE}$ )
- Recirculation system ( $E_{rc}$ )



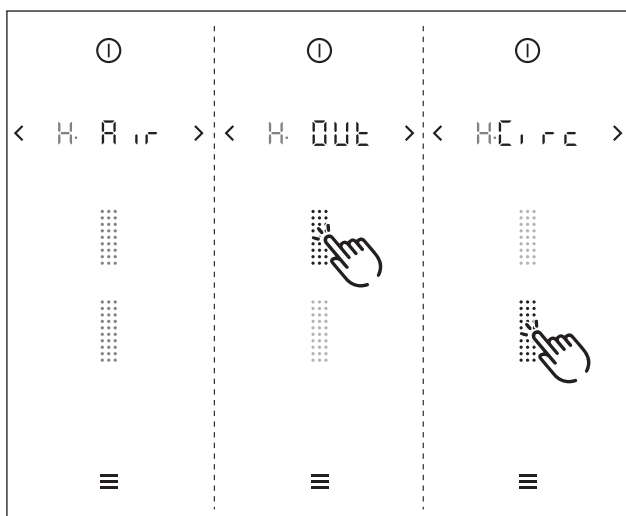




Fig. 4.42 Configuring the exhaust air system display

- ▶ Select the corresponding operating mode (tap the corresponding segment on the slider .
- ▶ Confirm and save the setting by moving to the next menu item (tap .

### Menu item J: *F L Y P* Select the filter type (only in the case of recirculation)

**INFO** Menu item J only appears if the “recirculation system” operating mode has been selected during configuration of the extraction system.

The type of filter installed must be defined.  
There are two different filters to choose from:

- Filter type 1 (*F 1*)= BORA air cleaning box ULB1
- Filter type 2 (*F 3*)= BORA air cleaning box ULB3

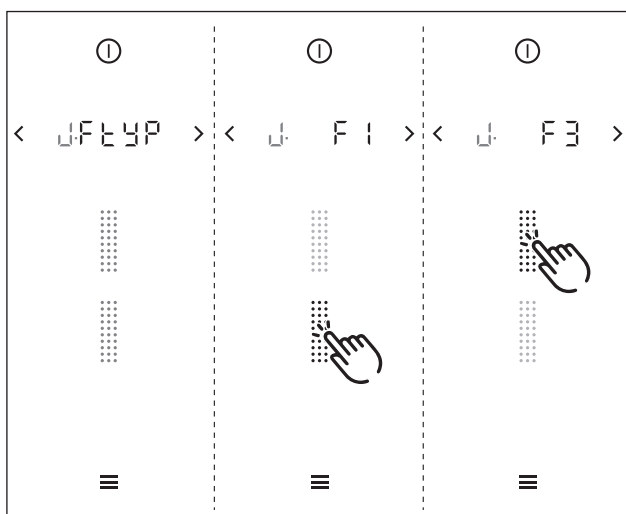




Fig. 4.43 Selecting the filter type display

- ▶ Select the type of filter installed (tap the corresponding segment on the slider .
- ▶ Confirm and save the setting by moving to the next menu item (tap .

**INFO** For recirculation filters from other manufacturers filter type 1 (*F 1*) must be selected.

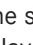
### Menu item L: Fan configuration


**INFO** During fan configuration the type of fan installed and the number of fans are automatically recognised by the system and the configuration is adjusted accordingly. During initial operation it is necessary for the installer to check that the fans have been recognised correctly.

#### Starting fan configuration






Fig. 4.44 Starting fan configuration display

- ▶ Touch the slider .
- The display will immediately show *Start* and the fan configuration is started.
- During fan configuration the slider surface will flash (beige).

**INFO** When fan configuration is complete, the display will stop flashing. If fan recognition was successful, the colour of the slider surface  changes from beige to green.

#### Checking fan recognition


- ▶ Check that the system has recognised all fans correctly (slider lights up green).

Indicator	Colour	Result
	green	1 fan recognised
	green	2 fan recognised
	red	0 fans recognised, error (see Troubleshooting chapter)

Tab. 4.8 Possible results of the fan recognition

## Completing basic configuration

When you have been through all of the basic configuration menu items:

- ▶ Long press on the menu button 

**INFO** The system adopts and saves the settings made and the standard display is shown.

### 4.14.2 Function test

- ▶ Carry out a thorough function test on all devices.
- ▶ In the event of error messages, see the “Troubleshooting” chapter in the operating instructions.

## 4.15 Sealing the devices

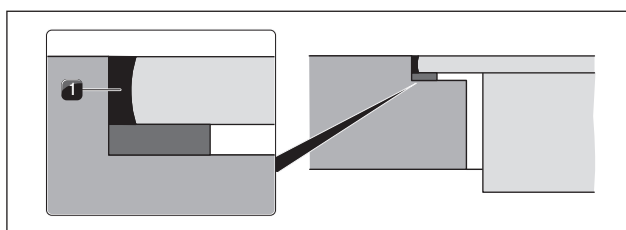


Fig. 4.45 Silicone sealant for flush installation

[1] black, heat-resistant silicone sealant

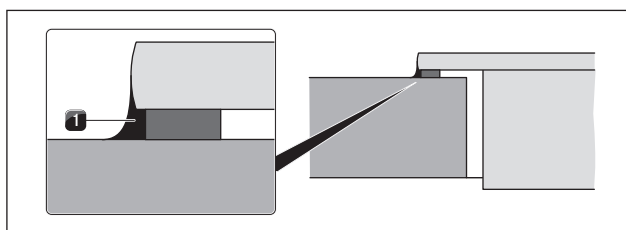


Fig. 4.46 Silicone sealant for surface mounting

[1] black, heat-resistant silicone sealant

- ▶ Once all of the installation work and initial operation is complete, seal the devices with black, heat-resistant silicone sealant [1].
- ▶ Make sure that no silicone sealant gets under the cooktop.

## 4.16 Handover to user

Once installation is complete:

- ▶ Explain the main functions to the user.
- ▶ Explain all safety-related aspects of operation and handling to the user.
- ▶ Affix the identification plates provided to the penultimate page in the operating instructions (see Operating instructions, Identification plates chapter).
- ▶ Provide the user with the accessories and operating and installation instructions, which are to be kept in a safe place.

## 4.17 Demo mode

The appliance can be set to demo mode via the dealer menu, which includes all operating functions, but the heating function of the cooktops is deactivated.

## 5 Decommissioning, disassembly and disposal

- ▶ Observe all safety and warning information (see the Safety section).
- ▶ Follow the enclosed manufacturer's information.

### 5.1 Decommissioning

Decommissioning is understood as final shutdown and disassembly. Following decommissioning, the device can either be installed into other units, sold on privately or disposed of.

---

**INFO** Electricity and gas connections may only be disconnected by qualified specialists.

---

- ▶ To decommission, switch the device off (see Operation section)
- ▶ Disconnect the device from the power supply.

### 5.2 Disassembly

For removal, the device must be accessible for disassembly and disconnected from the power supply.

- ▶ Undo the mounting brackets.
- ▶ Remove the silicone joints.
- ▶ Disconnect the device from the extractor duct.
- ▶ Remove the device from the worktop by lifting it upwards.
- ▶ Remove any other accessories.
- ▶ Dispose of the old device and any contaminated accessories as described under "Environmentally-friendly disposal".

### 5.3 Environmentally-friendly disposal

#### Disposal of transport packaging

---

**INFO** The packaging protects the device from damage in transport. The packaging materials have been selected from environmental and disposal perspectives and are therefore recyclable.

---

Returning the packaging to the materials cycle saves resources and reduces waste volumes. Your specialist supplier will take the packaging back.

- ▶ Give the packaging to your specialist supplier or
- ▶ Dispose of the packaging properly in line with local regulations.

#### Disposal of old appliance



Electrical devices marked with this label may not be disposed of in domestic waste at the end of their service life. They must be disposed of at a collection point for the recycling of old electrical or electronic devices. You can find information from your city or district council.

Many electrical and electronic devices still contain valuable materials. But they also contain damaging materials which were necessary for them to function properly and safely. These can damage human health or the environment if disposed of improperly or incorrectly handled.

- ▶ Never put your old appliance in domestic waste.
- ▶ Take the old appliance to a regional collection point for return and recycling electrical and electronic components and other materials.

**Germany:**

**BORA Lüftungstechnik GmbH**  
Rosenheimer Str. 33  
83064 Raubling  
Germany  
Tel. +49 (0) 8035/9840-0  
Fax +49 (0) 8035/9840-300  
info@bora.com  
www.bora.com

**Australia – New Zealand:**

**BORA APAC Pty Ltd**  
100 Victoria Road  
Drummoyne NSW 2047  
Australia  
Tel. +61 2 9719 2350  
Fax +61 2 8076 3514  
info@boraapac.com.au  
www.bora-australia.com.au

**Austria:**

**BORA Vertriebs GmbH & Co KG**  
Innstraße 1  
6342 Niederndorf  
Austria  
Tel. +43 (0) 5373/62250-0  
Fax +43 (0) 5373/62250-90  
mail@bora.com  
www.bora.com

**Europe:**

**BORA Holding GmbH**  
Innstraße 1  
6342 Niederndorf  
Austria  
Tel. +43 (0) 5373/62250-0  
Fax +43 (0) 5373/62250-90  
mail@bora.com  
www.bora.com



C2XIMEN-002

