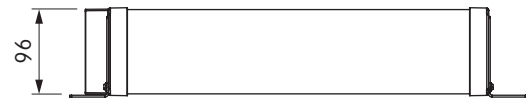
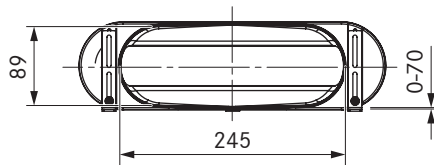
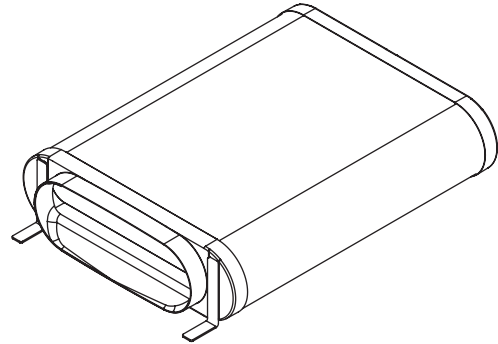
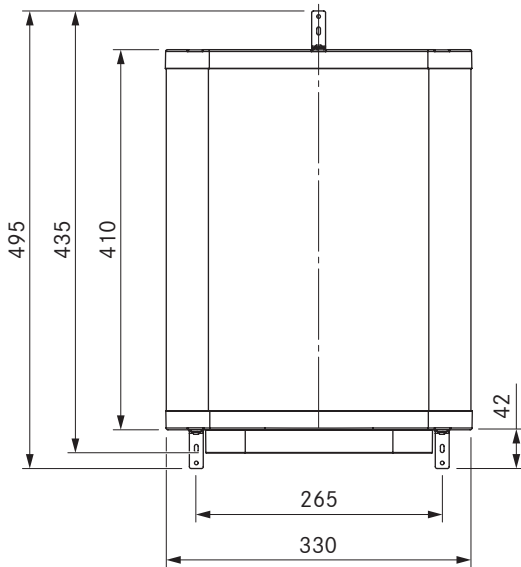


ULB1

BORA air purification box



Technical data

Activated charcoal mass incl. carrier material	0.75 kg
Material filter	Activated charcoal foam
Housing material	Plastic
Dimensions (WxDxH)	330 x 410 x 96 mm
Shallow duct connection	245 x 89 x 25 mm
Weight (incl. accessories/packageging)	Approx. 2.0 kg
Service life	200 h / 1 year
Duct connection	BORA Ecotube

Product description

- Odour filter for cleaning the air in domestic kitchens
- Diverse installation options
- Connection to BORA Ecotube 245 x 89 x 25 mm
- Access for maintenance must be considered during planning
- Easy filter change
- Ensure a minimum return flow aperture of 500 cm² (e.g. plinth overlay or slatted plinth)

Scope of delivery

- ULB1 air purification box
- Fixing screw set
- 3 x angle brackets
- Operating and installation instructions

Planning instructions

- Clearance of at least 4 cm is required to replace the recirculation unit