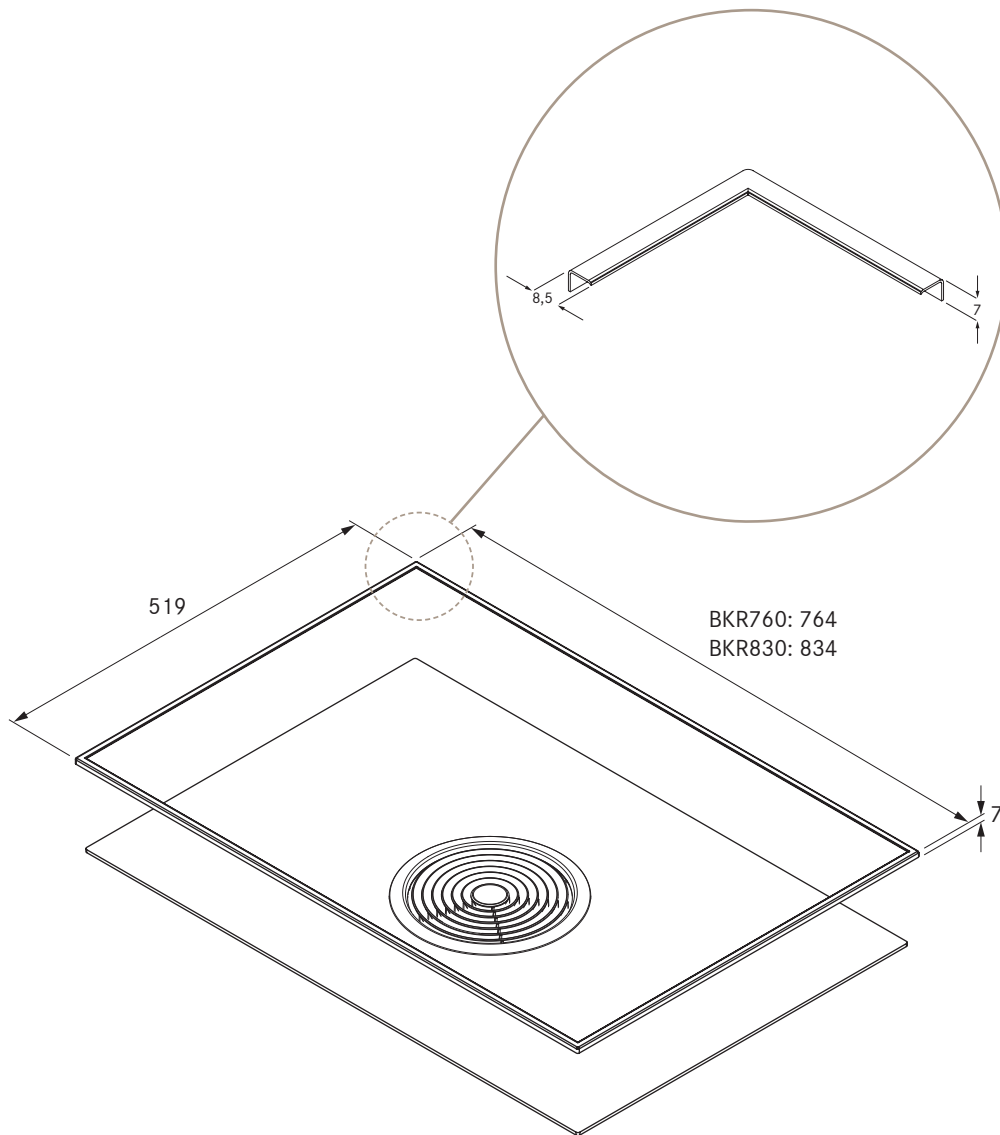


BKR760/BKR830

Basic cooktop frame



Technical data BKR760 cooktop frame suitable for BIA/BIU/BHA/BHU

Dimensions (width x depth x height)	764 x 519 x 7 mm
Material	Brushed stainless steel
Adhesive curing time	24 h

Technical data BKR830 cooktop frame suitable for BFIA/BFIU

Dimensions (width x depth x height)	834 x 519 x 7 mm
Material	Brushed stainless steel
Adhesive curing time	24 h

Product description

- For framing surface-mounted BORA Basic cooktops
- Cooktop frame made from brushed stainless steel
- The cooktop frame is attached using adhesive tape

Scope of delivery

- BKR760/BKR830 cooktop frame with adhesive tape
- Sealing tape
- Glass cleaning cloth
- Height adjustment plate set
- Installation instructions