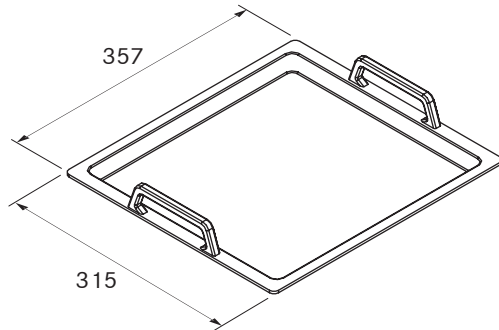


# UGPC1/UGPI1

## UGPC1/UGPI1 BORA grill pan



### Technical data

|                                      |  |
|--------------------------------------|--|
| Dimensions (WxDxH)                   | 325 x 357 x 25 mm<br>(without handles) |
| Surface material                     | DURIT-Resist™ coating                  |
| Pan material                         | Aluminium                              |
| Weight (incl. accessories/packaging) | 2.5 kg                                 |

### Product description

- Optimum temperature distribution thanks to aluminium cast design
- Durable, food-compliant DURIT-Resist™ coating
- Also suitable for steam ovens thanks to gastronomic dimensions (2/3)

### Scope of delivery

- UGPC1: non-induction grill pan for HiLight glass ceramic cooktops or
- UGPI1: induction grill pan for induction glass ceramic cooktops