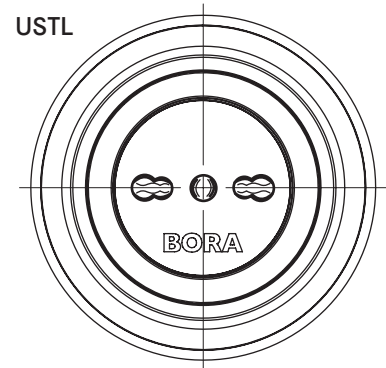
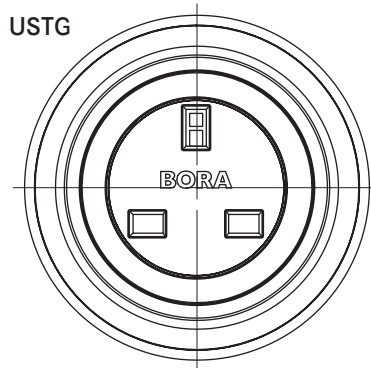
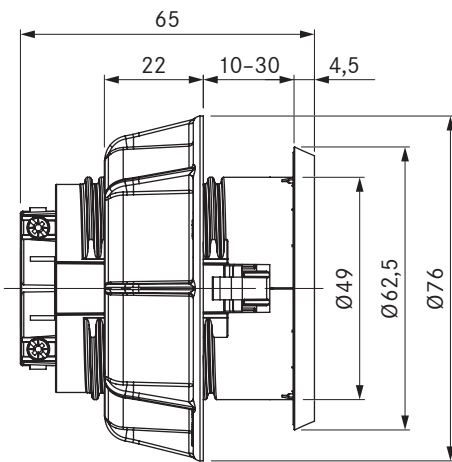
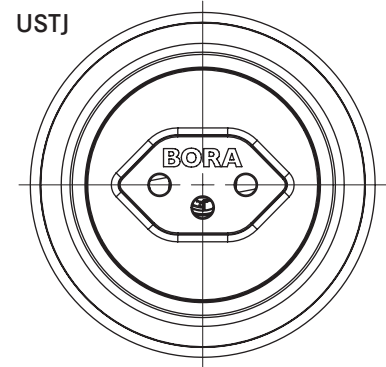
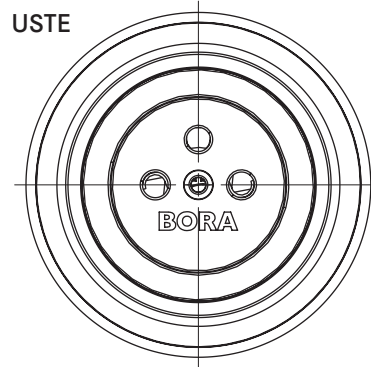
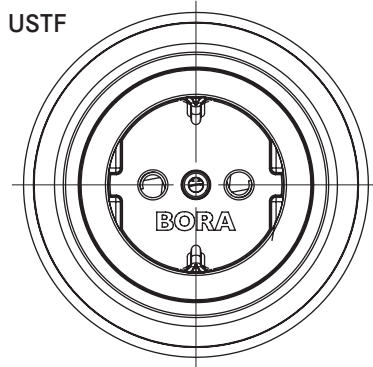


USTF/USTE/USTJ/USTG/USTL

BORA sockets



Technical data

Supply voltage	220-240 V
Maximum rated power	16 A (type F/E), 10 A (type J)
Dimensions	62.5 mm
Dimensions (thickness)	4.5 mm

Product description

- A practical way of connecting electrical domestic appliances
- Childproofing feature for the USTF and USTE sockets
- Stainless steel trim ring
- Matt black plastic socket
- Only for unit installation in kitchen cupboards with front thickness of 10 mm to 30 mm

Scope of delivery

- USTF/USTE/USTJ/USTG/USTL socket
- 2 m connection cable with country-specific plug

Country-specific variants:

- Type F: DE, ES, IT, AT, LU, PT, RU, BR, SE
- Type E: FR, PL, DK, BE, CZ, SK
- Type L: IT, SM
- Type J: CH, LI
- Type G: UK, AE, SG