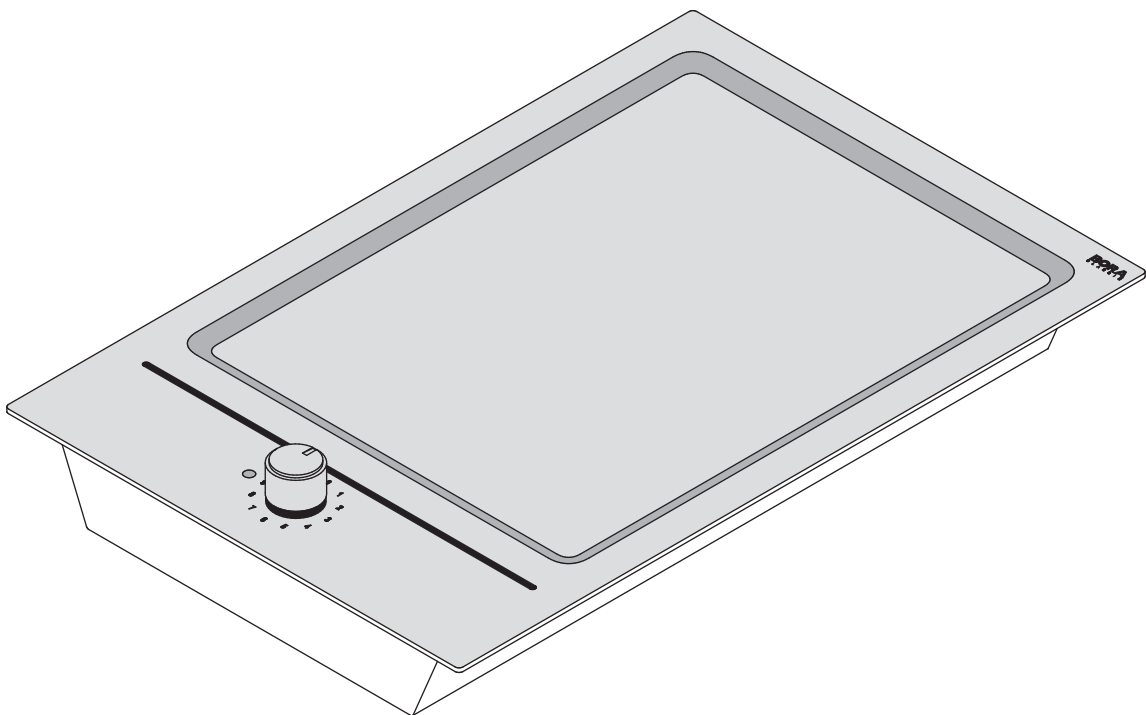


EN Operating and assembly instructions CT1

Tepan cooktop



CT1UMEN-002

Operating and installation instructions:

Original

Translation

Manufacturer

BORA Lüftungstechnik GmbH

Rosenheimer Str. 33

83064 Raubling

Germany

Contact

T +49 (0) 8035 / 907-240

F +49 (0) 8035 / 907-249

info@bora.com

www.bora.com

The distribution and duplication of this document, as well as the use and disclosure of its contents are prohibited unless expressly authorised.

© BORA Lüftungstechnik GmbH, 2016

All rights reserved.

Table of Contents

1	General	4
2	Safety	6
2.1	General safety precautions	6
2.2	Safety instructions, operation	7
2.3	Safety instructions, assembly.....	8
2.4	Safety instructions, disassembly and disposal	8
2.5	Safety instructions, spare parts	9
2.6	Use as intended	9
3	Technical data	10
4	Device description	11
4.1	Structure	11
4.2	Operating panel and operating principle	11
4.3	Functional principle	11
4.3.1	Power levels	11
5	Installation	12
5.1	Checking the deliverables	12
5.2	Tool and aids.....	12
5.3	Assembly instructions	12
5.3.1	Safety distances.....	12
5.4	Cut-out dimensions	12
5.5	Installing the cooktop.....	14
5.5.1	Installing the cooktop.....	14
5.6	Power connection.....	15
5.7	Handover to user.....	15
6	Operation	16
6.1	Starting it up for the first time	16
6.2	Switch cooktop on/off	16
6.3	Power levels	16
6.3.1	Adjusting the power level.....	16
7	Cleaning and Maintenance	17
7.1	Cleaning agents.....	17
7.2	Maintaining the cooktop	17
7.3	Cleaning the cooktop	17
7.3.1	Cleaning the stainless steel grill surface.....	17
7.3.2	Cleaning the control knobs	18
8	Troubleshooting	19
9	Decommissioning, disassembly and disposal	20
9.1	Decommissioning.....	20
9.2	Disassembly	20
9.3	Disposing of the product in an environmentally friendly way.....	20
10	Warranty, service and spare parts	21
10.1	Warranty.....	21
10.2	Service	21
10.3	Spare parts.....	21
11	Notes	22

1 General

Target group

These operating and assembly instructions are intended for the following target groups:

Target group	Requirements
Users	The Device may be used by children from the age of 8 as well as by people with limited physical, sensory or mental capabilities or a lack of experience and/or knowledge, provided they are supervised, have been instructed in the safe use of the device and have understood the dangers involved. Children must be supervised. All safety and warning information and handling instructions in the operating manual must be followed.
Ambitious DIYers	Ambitious DIYers may carry out all the necessary carpentry and assembly work themselves providing that they have the necessary skills and knowledge. They must not connect the current and gas themselves.
Assembly expert	The assembly expert must carry out all the necessary carpentry and assembly work taking existing regulations into account. The current and gas connections must be approved for the system in use by a certified electrician or gas engineer before use.
Electrical expert	The electrical connection must only be executed by a certified electrician. He/she also assumes responsibility for the proper electrical installation and commissioning.
Expert gas connection	The gas connection must only be implemented by a certified gas engineer. He/she also assumes responsibility for the proper gas installation and commissioning.

Tab. 1.1 Target groups

INFO	<p>BORA Holding GmbH, BORA Vertriebs GmbH & Co KG, BORA APAC Pty Ltd and BORA Lüftungstechnik GmbH - hereinafter referred to as BORA - shall not assume any liability for damage caused by non-compliance with these documents nor by improper assembly!</p> <p>The electricity and gas connections must be implemented by a certified engineer. Assembly must only take place in compliance with the applicable norms, regulations and laws. All safety and warning information and handling instructions in the operating and assembly instructions must be followed.</p>
-------------	---

Validity of the operating and assembly instructions

This manual is valid for several versions of the device. For this reason, it is possible that individual features are described in the manual that do not apply to your device.

Other applicable documents

Additional documents are valid as well as these operating and assembly instructions, and likewise need to be observed.

Please observe all documents included in the scope of delivery.

INFO	BORA cannot assume any liability for damage caused by non-compliance with these documents!
-------------	--

Guidelines

These devices meet the following EC guidelines:

2014/30/EC EMC Directive
 2014/35/EC Low-Voltage Directive
 2009/125/EC Ecological Design Directive
 2011/65/EC RoHS Directive
 2012/19/EC WEEE Directive

Depiction of information

We used standard formatting, numbering, symbols, safety instructions, terms and abbreviations so that you can work quickly and safely when using this manual.

Instructions are marked with an arrow.

▶ Always perform all instructions in the prescribed order.

Enumerations are indicated with a square bullet point at the start of the line.

■ Enumeration 1

■ Enumeration 2

INFO	Information notes point to special features that must be taken into account.
-------------	--

Safety and warning instructions

The safety and warning instructions in this manual are emphasised with symbols and signal words.




Safety and warning instructions are structured as follows:

WARNING SYMBOL AND SIGNAL WORD!
Type and source of the danger
 Results of non-compliance

▶ Measures to minimise risk

Please note:

- The warning symbol draws your attention to the risk.
- The signal word indicates the severity of that risk.

Warning symbol	Signal word	Risk
	Danger	Indicates an immediate, hazardous situation which causes death or serious injury if not respected.
	Warning	Indicates a potentially hazardous situation which can cause death or serious injury if not respected.
	Caution	Indicates a possible hazardous situation which can cause minor injury if not respected.
–	Caution	Indicates a situation which can cause minor injury if not respected.

Tab. 1.2 Meaning of the warning symbols and signal words

2 Safety

2.1 General safety precautions

INFO The product complies with the mandatory safety provisions. The user is responsible for cleaning, care and safe use of the device. Any improper use may lead to personal injury and property damage.

- This operating and installation instructions contain important information concerning assembly and operation. It protects you from injury and prevents damage to the product. You can find contact data to get further information and answers to questions about the use of the product on the last page of this operating and installation instructions.
- The term “device” is used to refer to cooktop, cooktop extractor or cooktop with integrated cooktop extractor.
- ▶ Read this operating and installation instructions in full before you assemble the device and start to use it.
- ▶ Always keep these operating and installation instructions to hand so it is available when needed.
- ▶ After selling the device, pass on the operating and installation manual to the new owner.
- ▶ Carry out all work with great care and attention.
- ▶ Check the device for visible damage after unpacking.
- ▶ Do not install a damaged device.
- ▶ Do not use the device until installation is complete. Only in this way a safe operation can be guaranteed.
- ▶ Make sure contact with hot cooking surfaces is not possible.
- ▶ Avoid over-cooking.
- ▶ Turn the device off after use.
- ▶ Keep pets away from the device.

Recirculated air mode

INFO Every time the device is used for cooking, supplementary moisture is released into the room air.

INFO In the recirculated air mode, only a small amount of moisture is removed from the cooking vapours.

- ▶ Make sure that the room is sufficiently ventilated to the outside air in the recirculated air mode, e.g. through an open window.
- ▶ Ensure a normal and comfortable indoor climate (45-60% humidity), e.g. through natural ventilation openings or domestic ventilation systems.
- ▶ Set the cooktop extractor to a low setting for about 15 minutes or activate the automatic after-run after every use in the recirculated air mode.

When there are children and people with special needs in the house

- This device may be used by children from the age of 8 as well as by persons with limited physical, sensory or mental capabilities or a lack of experience and/or knowledge, provided they are supervised, have been instructed in the safe use of the device and have understood the dangers involved.
- Do not leave children unattended when they are near the device.
- Children must not play with the device.
- ▶ Do not store any objects that could be of interest to children in storage spaces above or behind the device. Otherwise, the children will be tempted to climb onto the device.
- ▶ Keep children and other persons away from the cooking surfaces.

Unauthorised modifications

Due to unauthorised modifications

The device can constitute a hazard.

- ▶ Do not make any changes to the device.

Cleaning and Maintenance

The device must be cleaned at regular intervals. Dirt can lead to damage or odour nuisance.

Remove dirt immediately.

- Any work involving cleaning and user maintenance must not be carried out by children unless they are supervised at all times while doing so.
- ▶ Do not use a steam cleaner for cleaning. Steam can cause a short circuit on live parts and thus lead to property damage (see the Cleaning chapter).
- ▶ Do not place any hot cookware in the area of the control panel so as not to damage the underlying electronics.

- ▶ When cleaning the device, water must not penetrate the interior of the device. Use only a slightly damp cloth. Never spray the device with water. Water penetration can cause damage!
- ▶ Whenever possible, clean the cooktop after every use.
- ▶ Clean the cooktop only after it has cooled down.
- ▶ When cleaning, only use non-abrasive cleaning agents to prevent scratching and abrasion on the surface.
- ▶ Make sure that the base of the cookware as well as the cooking zone are clean and dry.
- ▶ Always lift (do not drag!) the cookware to prevent scratching and abrasion on the surface.

2.2 Safety instructions, operation

Cooktop



DANGER!
Danger of fire caused by leaving the cooktop unattended!

Oil or fat in the pot can quickly heat up and ignite.

- ▶ Never leave oil or fat to heat up unattended.
- ▶ Never extinguish oil and fat fires with water.
- ▶ Suffocate the fire, for example by using a lid.



DANGER!
Danger of explosion caused by flammable liquids!

Flammable liquids in the vicinity of the cooktop can explode and cause serious injury.

- ▶ Do not place any flammable liquids in the vicinity of the cooktop.



DANGER!
Danger of electric shock!

Cracks, fissures or fractures in the glass ceramic panel can damage the underlying electronics. This can cause an electrical shock.

- ▶ If there are any cracks, fissures or fractures in the glass ceramic, switch the device off immediately.
- ▶ Safely disconnect the device from the mains using miniature or automatic circuit breakers, fuses or contactors.



WARNING!
Risk of burns caused by a hot cooktop!

The cooktop and its touchable parts become hot during operation. After turning off the cooking zone, allow it to cool down to less than 60°C first. Touching hot surfaces can lead to serious burns.

- ▶ Do not touch the hot cooktop.
- ▶ Keep children away from the hot cooktop unless they are under constant supervision.



WARNING!
Danger of fire caused by objects on the cooktop!

The cooktop and its touchable parts become hot when the cooking zone is switched on and while it is cooling down. Objects on the cooktop can heat up and ignite.

- ▶ Do not leave any objects on the cooktop.



WARNING!
Risk of burns caused by hot objects!

The cooktop and its touchable parts become hot when the cooking zone is switched on and while it is cooling down. Objects (pot lid, cooktop extractor cover) on the cooktop become hot very quickly and can lead to serious burns.

- ▶ Do not leave any objects on the cooktop.
- ▶ Use suitable aids (pot cloths, thermal glove).

CAUTION!**Escaping hot liquids!**

Unattended pans can boil over allowing hot liquids to escape.

- ▶ Always keep an eye on pans while cooking.
- ▶ Short cooking sessions must be constantly monitored.

2.3 Safety instructions, assembly

Installation and assembly of the device may only be carried out by trained personnel who are familiar with and comply with common national regulations and supplementary regulations of the local utility companies.

Work on electrical parts must only be carried out by trained electrical personnel.

The electrical safety of the device is only guaranteed if it is connected to a properly installed protective conductor system. Make sure that these basic safety precautions have been taken.

Cooktop

**DANGER!****Danger of electric shock!**

Connecting the device incorrectly to the mains poses a risk of electric shock.

- ▶ Make sure that the device has a fixed connection to the mains voltage.
- ▶ Make sure that the device is connected to a properly installed protective conductor system.
- ▶ Make sure that technical equipment is provided to allow for all of the device's poles to be disconnected from the mains with a contact opening width of at least 3 mm (miniature and automatic circuit breakers, fuses, contactors).

**DANGER!****Danger of electric shock!**

The connection cable can be damaged if it comes into contact with hot cooking zones. A damaged connection cable can cause a (fatal) electrical shock.

- ▶ Make sure that the connection cable does not come into contact with hot cooking surfaces.
- ▶ Make sure that the connection cable is not caught or damaged.

**CAUTION!****Back injury caused by heavy loads!**

When removing and inserting the device, incorrect handling may cause injuries to the limbs and the trunk.

- ▶ Always lift the device out of the packaging with two persons.
- ▶ Always place the device onto the worktop cut-out with two persons.
- ▶ Use suitable aids to prevent damage to the limbs and the trunk.

- ▶ Check the device for visible damages before installing it.
- ▶ Do not install a damaged device.
- A damaged device may put your safety at risk!

Repair and maintenance work may only be carried out by specialists authorised by the manufacturer.

2.4 Safety instructions, disassembly and disposal

Disassembly of the device may only be carried out by trained personnel who are familiar with and comply with common national regulations and supplementary regulations of the local utility companies.

Work on electrical parts may only be carried out by trained electrical personnel.

**DANGER!****Danger of electric shock!**

Disconnecting the device incorrectly from the mains poses a risk of electric shock.

- ▶ Safely disconnect the device from the mains using miniature or automatic circuit breakers, fuses or contactors.
- ▶ Use a suitable measuring device to ensure that the device is de-energised.

**DANGER!****Risk of suffocation!**

Parts of the packaging (e.g. films, polystyrene) can be fatal to children.

- ▶ Store packaging materials away from the reach of children.
- ▶ Dispose of packaging correctly and promptly.

Not using the device as described in this operating and assembly manual is considered not using the device as intended, as is using it beyond the purpose described here.

BORA shall not assume any liability for damages caused by improper use or incorrect operation.

All misuse is prohibited!**INFO**

BORA Holding GmbH,
BORA Vertriebs GmbH & Co KG,
BORA APAC Pty Ltd and
BORA Lüftungstechnik GmbH shall not assume any liability for damage arising from non-adherence to the safety and warning instructions.

2.5 Safety instructions, spare parts

**WARNING!****Risk of injury and damage to property!**

Incorrect parts can lead to injury to persons or damage to device! Modifications, attachment parts or conversions to device can impair safety.

- ▶ Only use original spare parts when carrying out repairs.

2.6 Use as intended

The device is solely intended for preparing food in private households.

This device is not designed for:

- use outdoors
- installation in vehicles
- heating the room
- use in non-fixed installation sites (e.g. on ships)
- use with an external timer or separate remote control system.

3 Technical data

Parameter	Value
Supply voltage	220 - 240 V
Frequency	50/60 Hz
Power consumption	2.8 kW
Fuses, minimum	1 x 13 A
Dimensions (width x depth x height)	340 x 515 x 73 mm
Weight (incl. accessory/packaging)	12 kg
Cooktop	
Power levels	1 - 9, infinitely variable
Cooking zone	270 x 360 mm 2800 W
Temperature control range	approx. 90 - 240 °C

Tab. 3.1 Technical data

Device dimensions

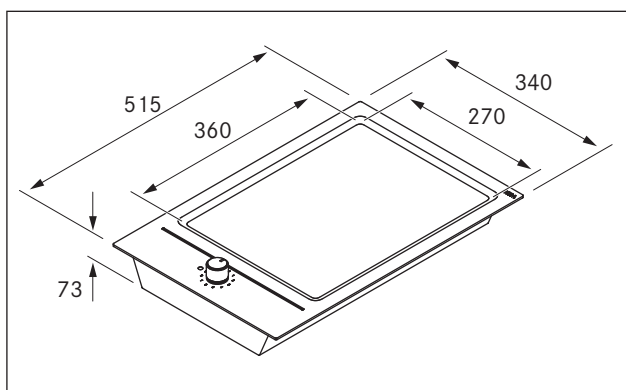


Fig. 3.1 Device dimensions

4 Device description

Observe all safety and warning information during operation (see Safety chapter).

The Tepan grill has the following features:

- Full-surface grill zone
- Control knobs
- Operating indicator light

4.1 Structure

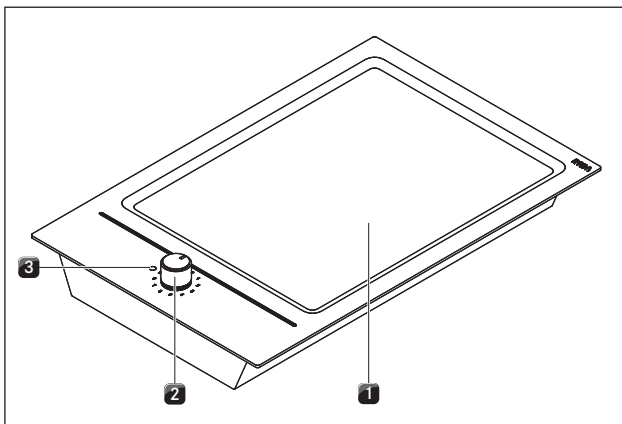


Fig. 4.1 Tepan grill

- [1] Full-surface grill zone
- [2] Control knobs
- [3] Operating indicator light

4.2 Operating panel and operating principle

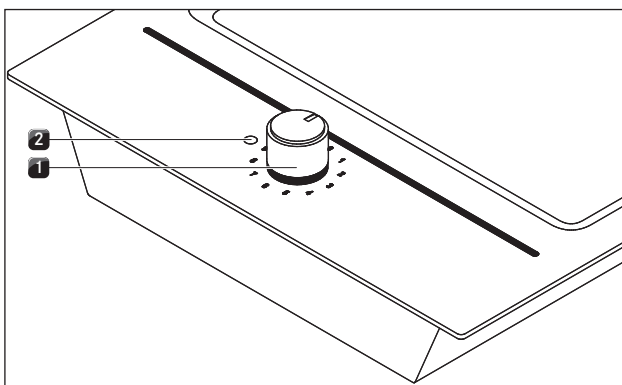


Fig. 4.2 Operating panel

- [1] Control knobs
- [2] Operating indicator light

Display panel	Display	Meaning
Operating indicator light	On	Tepan grill switched on
	Off	Tepan grill switched off

Tab. 4.1 Meaning of display

Knob control

The Tepan grill is equipped with a control knob.

You operate the device by setting the control knob to the corresponding power level.

4.3 Functional principle

The full-surface heating element is located under the grill zone. When the grill zone is switched on, the heating element generates heat that heats up the grill surface directly. The power levels can be continuously adjusted between 1-9.

4.3.1 Power levels

The power output of Tepan grills results in the very quick heating of food. A slight adjustment is needed in comparison to conventional cooking systems when selecting the power level in order to avoid burning food.

Activity	Power level
Keeping cooked meals warm	1
Steaming fruit, e.g. apple slices, peach halves, banana slices	2-3
Browning chopped vegetables, fried eggs, veal, poultry	4-5
Browning breaded or battered fish, pancakes, sausages, pork, lamb	5-6
Browning potato fritters, prawns, corn on the cob and escalopes	6-7
Fast browning beef, fish, meatballs	8-9

Tab. 4.2 Recommendations for power levels

The specifications provided in the table are standard values.

5 Installation

- ▶ Observe all safety and warning information (see Safety chapter).
- ▶ Follow the enclosed manufacturer's information.

INFO The device may not be installed above cooling devices, dishwashing machines, stoves, baking ovens as well as washing and drying machines

INFO The contact surface of the worktops and the wall sealing strip must be made of a heat-resistant material (up to approx. 90 °C).

INFO Countertop cut-outs must be moisture-sealed using suitable means, where necessary fitted with a thermal insulator.

INFO If the glass ceramic induction wok is used, the rebate dimensions must be increased to 7 mm for flush installation!

5.1 Checking the deliverables

Name	Quantity
Operating and installation instructions	1
Fixing screw set for cooktop	1
Sealing tape	1
Cooktop	1
Tepan scraper	1
Height compensation plate set	1
Mounting straps set for cooktop	1

Tab. 5.1 Scope of delivery

- ▶ Check the scope of delivery for damage and make sure it is complete (see Tab. 5.1).
- ▶ If there are any missing or damaged parts, please notify BORA Customer Services.
- ▶ Do not under any circumstances install parts which are damaged.
- ▶ Dispose of transport packaging in the proper manner (see Decommissioning and Disposal chapter).

5.2 Tool and aids

The following tools are required for the correct installation of the cooktop:

- Torx 15 screwdriver
- Silicone for sealing cutting surfaces

5.3 Assembly instructions

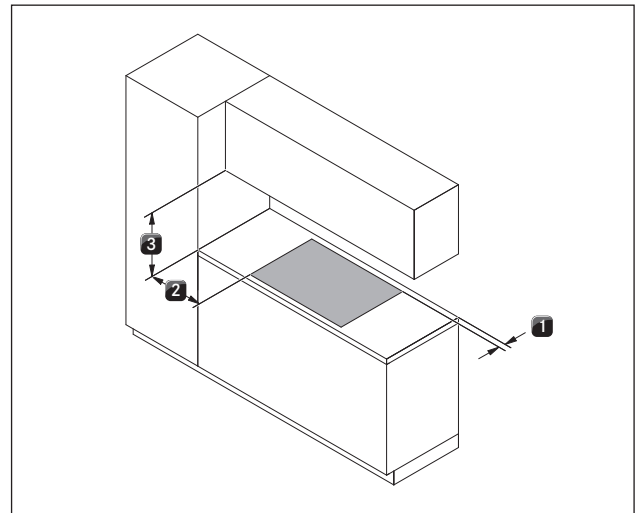


Fig. 5.1 Recommended minimum clearances

5.3.1 Safety distances

- ▶ Maintain the following safety distances:

- [1] Minimum distance of 50 mm at the back from of the worktop cut-out to the rear edge of the worktop.
- [2] Minimum distance of 50 mm from the left and right of the worktop cut-out to the adjacent cabinet or wall. For ergonomic reasons and to ensure efficient cooktop extraction, a minimum clearance of 300 mm is recommended.
- [3] Minimum distance of 700 mm between the worktop and the wall unit. A minimum clearance of 1000 mm is recommended for ergonomic reasons.

5.4 Cut-out dimensions

Preparing the worktop

- ▶ Create the worktop cut-out.
- ▶ Make sure that the cutting surfaces of the worktops are properly sealed.
- ▶ Observe the instructions provided by the worktop manufacturer.

Flush installation

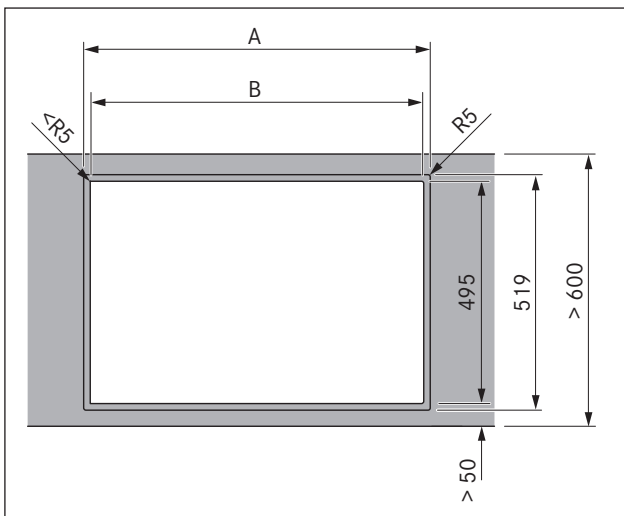


Fig. 5.2 Flush installation

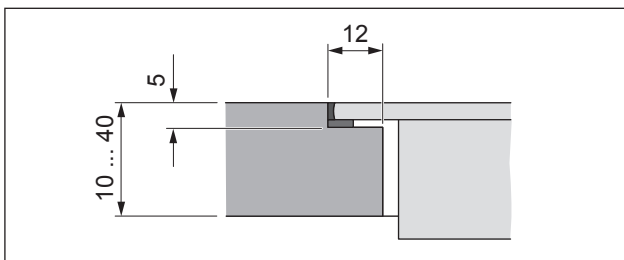


Fig. 5.3 Flush installation cut

Surface installation

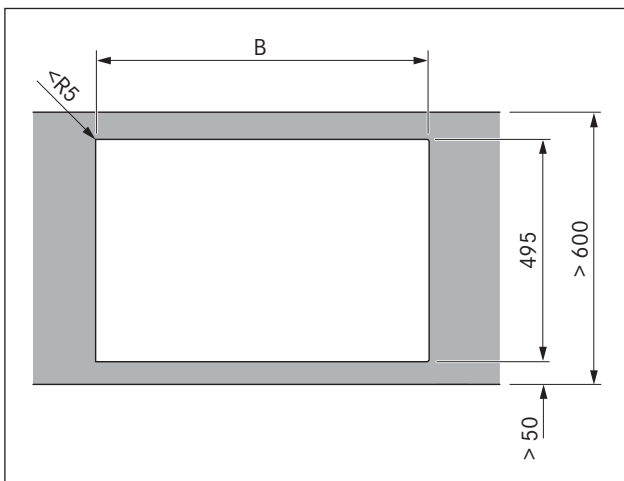


Fig. 5.4 Surface installation

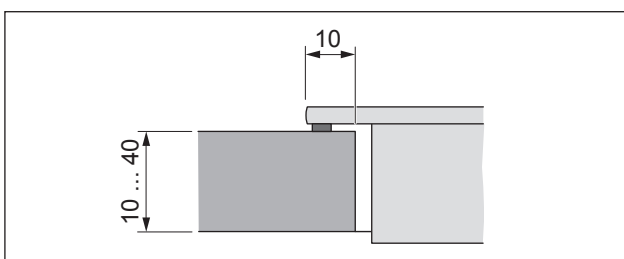








Fig. 5.5 Surface mounting cut

Cut-out dimensions when installing cooktops or cooktops and the BORA cooktop extractor next to each other:

Cooktops / cooktop extractor	A in mm	B in mm
	1/0	344
	2/0	685
	3/0	1026
	2/1	776
	3/2	1208
	4/2	1549

Tab. 5.2 Cut-out dimensions

Attaching the sealing tape

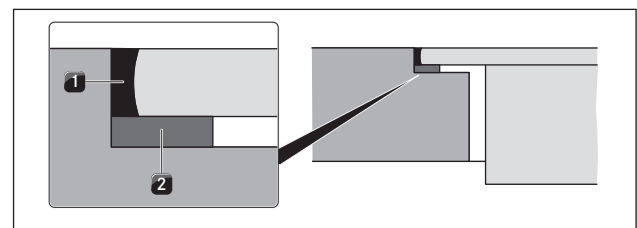


Fig. 5.6 Sealing tape, flush installation

- [1] Black heat-resistant silicone sealing compound
- [2] Sealing tape

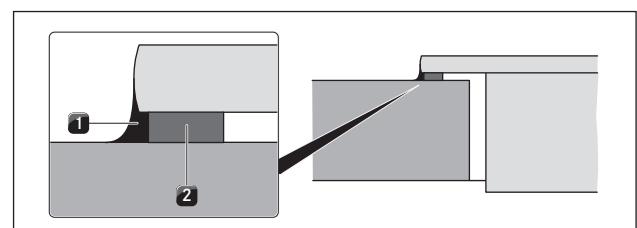


Fig. 5.7 Sealing tape with surface installation

- [1] Black heat-resistant silicone sealing compound
- [2] Sealing tape

- The side of the device adjacent to the extraction system does not require a sealing tape. Otherwise, the extraction frame could be damaged.
- ▶ With surface installation, attach the enclosed sealing tape [2], except for the side that is in contact with the extraction system, on the underside of the device before installing it. Do not leave any gaps.
- ▶ With flush installation, attach the enclosed sealing tape to the horizontal cutting edge in the worktop cut-out,

even if you seal the cooktop with a silicone sealing compound [1] or similar.

- ▶ Note down the type designation and build number of the device (FD number) on the back of this manual. Both designations can be found on the nameplate on the underside of the device.

5.5 Installing the cooktop

INFO A gap of one millimetre should be planned between the built-in appliances.

INFO A gap of two millimetres should be planned around the built-in appliances.

INFO Cable protection (a false floor) should be mounted below the devices. This needs to be removable for maintenance work.

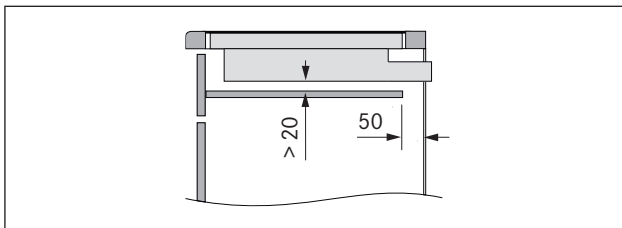


Fig. 5.8 Side view of the cable protection and ventilation

- Cross bars on the unit in the area of the worktop cut-out may need to be removed.
- The drawers and/or shelves in the floor unit must be removable for maintenance and cleaning purposes.

5.5.1 Installing the cooktop

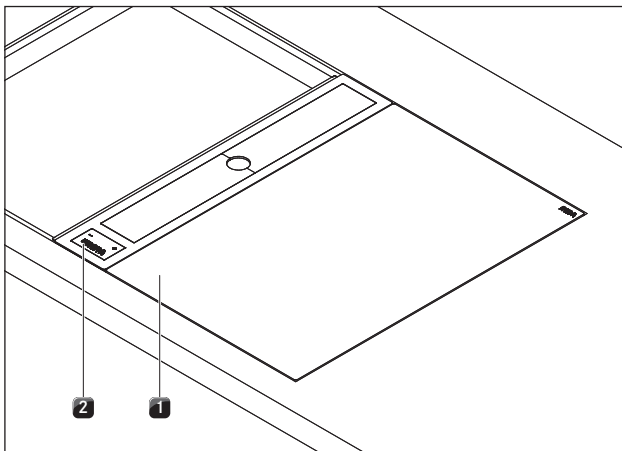


Fig. 5.9 Built-in cooktop with cooktop extractor

- ▶ Insert the cooktop [1] next to the cooktop extractor [2] already installed in the centre.

INFO The cooktop [1] rests on the lateral bar of the cooktop extractor [2] and is thereby stabilised.

- ▶ Align the cooktop [1] exactly.
- ▶ Adjust the installation height of the cooktop with the height compensation plates, if necessary.

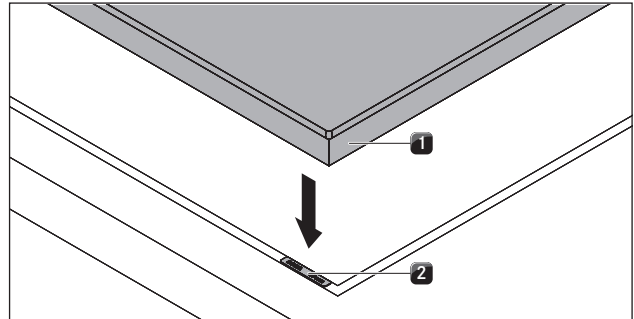


Fig. 5.10 Cooktop and height compensation plates

- [1] Cooktop
- [2] Height compensation plates

For surface installation

- ▶ Make sure that the sealing tape of the cooktop is resting on the worktop.

For flush installation

- ▶ Make sure that the sealing tape of the cooktop is sealed well all the way round.



Fig. 5.11 Mounting brackets

- [1] Screw
- [1] Mounting bracket

- ▶ Fasten the cooktop [1] using the mounting brackets [2].
- ▶ Tighten the mounting bracket screws [1] with max. 10 Nm.
- ▶ Verify that the alignment is correct.
- ▶ Seal the devices with black heat-resistant silicone sealing compound after the installation work is completed.

5.6 Power connection

- ▶ Observe all safety and warning information see the chapter safety.
- ▶ Observe all national and regional laws and regulations as well as the supplementary regulations of the local utility companies.

INFO The power connection must only be implemented by a certified engineer. He/she also assumes responsibility for the proper installation and commissioning.

The power supply line for use (pre-assembled) must be at least Type H05VV-F or H05VVH2-F.

- Cross-section: 3G 1,5 mm²
- If the supply line is damaged, it must be replaced by a specific one. This must be done by an authorized Customer Service agent.

Establishing the power connection

- ▶ Switch off the main switch/automatic circuit breaker before connecting the cooktop.
- ▶ Protect the main switch/automatic circuit breaker from being switched on without permission.
- ▶ Make sure the device is not energised.
- ▶ Connect the power cable.
- ▶ Connect the cooktop directly through a fixed connection to a power supply line.

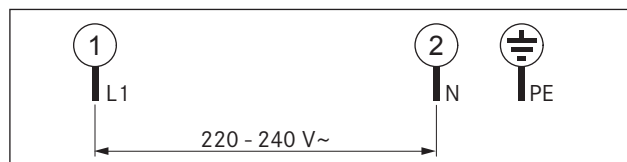


Fig. 5.12 Single-phase wiring diagram

- ▶ Verify that the installation was done correctly.
- ▶ Switch on the main switch/automatic circuit breaker.
- ▶ Put the cooktop extractor into operation (see the Operation chapter).
- ▶ Check all the functions are working correctly.

5.7 Handover to user

Once installation is done:

- ▶ Explain the important functions to the user.
- ▶ Explain all safety-relevant aspects of operation and handling to the user.
- ▶ Provide the user with the accessories and operating and installation instructions to be kept in a safe place.

6 Operation

- ▶ Observe all safety and warning information during operation (see Safety chapter).

INFO The cooktop may only be operated when the stainless steel grease filter is installed (see operating instructions of the cooktop extractor).

INFO Clean the cooking zone before using the cooktop for the first time (see Cleaning chapter).

INFO Preheat the cooking zone for 8-10 minutes before it is used each time.

6.1 Starting it up for the first time

Switch the cooking zone to power level 8 for approx. 25 minutes before starting it up for the first time. Disturbing odours may occur during this process.

6.2 Switch cooktop on/off

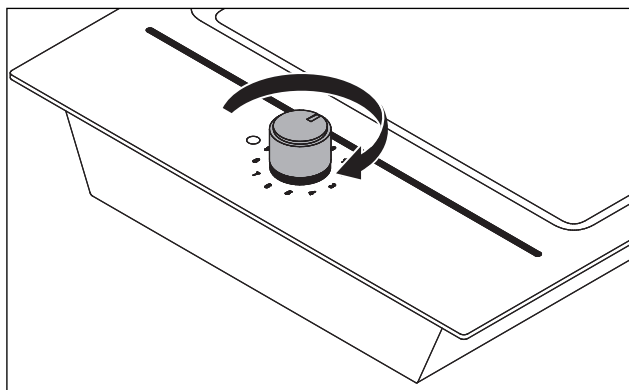


Fig. 6.1 Switch cooktop on/off

Switching on

- ▶ Turn the control knob to power level 1 to switch on the cooktop.
- The operating indicator light is active.

Switching off

- ▶ Turn the control knob to power level 0 to switch off the cooktop.
- The operating indicator light is inactive.

6.3 Power levels

6.3.1 Adjusting the power level

- ▶ Turn the control knob to set the respective power level between 1 - 9.

Power level	Surface temperature
1	approx. 90°C
9	240°C

Tab. 6.1 Power levels

7 Cleaning and Maintenance

- ▶ Observe all safety and warning information (see the Safety chapter).
- ▶ Follow the enclosed manufacturer's information.
- ▶ Make sure that the cooktop and cooktop extractor have been switched off completely and have cooled down prior to the planned cleaning and maintenance work to prevent injury (see the Operation chapter).
- Regular cleaning ensures the longevity of the product and optimal functioning.
- ▶ Adhere to the following cleaning and maintenance cycles:

Component	Cleaning cycle
Control knob	immediately after every soiling
Cooktop	immediately after every soiling every week thoroughly with standard commercially available cleaning agents

Tab. 7.1 Cleaning cycles

7.1 Cleaning agents

INFO Due to the use of aggressive cleaning agents and abrasion caused by the pot bases the surface will become damaged and dark stains will occur.

You need a special Tepan scraper and suitable cleaning agents to clean the cooktop.

- ▶ Never use steam cleaners, abrasive sponges, scouring pads, or chemically aggressive cleaning agents (e.g. baking oven spray).
- ▶ Make sure that the cleaning agent does not contain any sand, soda, acids or chloride.

7.2 Maintaining the cooktop

- ▶ Do not use the cooktop as a worktop or shelf.
- ▶ Do not push or pull cookware across the cooktop.
- ▶ Keep the cooktop clean.
- ▶ Remove any kind of soiling immediately.

7.3 Cleaning the cooktop

INFO When the cooktop extractor is switched on, the stainless steel grease filter must be installed to ensure that no small and light objects, such as cleaning wipes made of fabrics or paper are sucked in (see operating instructions for the cooktop).

7.3.1 Cleaning the stainless steel grill surface

INFO Only use the scraper on the grill surface. Otherwise, damage may occur on the surface.

INFO Clean the stainless steel surface in the polishing direction only.

INFO Do not apply citric acid to the adjacent surfaces of the cooktop and countertop as the citric acid may damage them.

INFO Do not use stainless steel cleaning agents on the stainless steel surface or stainless steel grill surface.

- ▶ Ensure that the cooktop is switched off (see the Operating chapter).

Light soiling

- ▶ Wait until the cooking zone has cooled down and is approx. 30°C.
- ▶ Remove light soiling with a damp cloth and detergent.
- ▶ Use a soft cloth to dry off the surface that has been cleaned with water in order to avoid water and scale marks (yellowish discolouration).

Normal soiling

- ▶ Wait until the cooking zone has cooled down and is approx. 80 - 90 °C.
- ▶ Now, apply cold clean water to the grill surface that is still warm.
- ▶ Leave the water to soak for approx. 15 minutes.
- ▶ Then, remove all coarse soiling and food residues from the grill surface with a Tepan scraper.
- ▶ Remove any remaining soiling and residual water with a clean cloth.
- ▶ Dry the cooktop with a clean cloth.

Heavy soiling

- ▶ Remove heavy soiling while the cooktop is still warm at approx. 80 - 90 °C.
- ▶ Dissolve a tablespoon of citric acid (approx. 10 - 15 ml) with hot water (approx. 200 ml) in a separate bowl.
- ▶ Now apply the liquid to the warm stainless steel grill surface.
- ▶ Leave the liquid to soak for approx. 5 - 8 minutes.

- ▶ Remove any baked-on grill residues from the grill surface with a plastic brush.
- ▶ Remove the remaining soiling and residual water-citric mixture (citric acid) completely with a clean cloth.
- ▶ Now, apply cold clean water to the grill surface.
- ▶ Remove any remaining soiling and residual water with a clean cloth.
- ▶ Dry the cooktop with a clean cloth.

Coloured changes and small scratches are not cooktop damage. They do not impact on the function of the cooktop and the stability of the stainless steel grill surface. Discolourations to the cooktop arise from residues which are not removed and have been burnt in.

7.3.2 Cleaning the control knobs

- ▶ Ensure that the cooktop is switched off (see the Operating chapter).
- ▶ Clean only the control knob by hand.
- ▶ Pull off the control knob.
- ▶ Clean the control knob with a soft brush.
- ▶ Rinse the control knob well after cleaning.
- ▶ Allow the control knob to dry thoroughly.
- ▶ Re-insert the clean and dry control knob into the slot after the cleaning is completed.

8 Troubleshooting

► Observe all safety and warning information (see Safety chapter).

Operating situation	Cause	Remedy
The cooktop cannot be switched on.	The fuse or the automatic circuit breaker of the electrical installation of the apartment and/or house is defective.	Replace the fuse. Switch the safety cut-out back on.
	The fuse or the automatic circuit breaker trips several times.	Call the BORA Service Team.
	The power supply is disconnected.	Have a specialist electrician inspect the power supply.
Odours and vapours arise when the new cooktop is put into operation.	This is normal on brand-new appliances.	Wait a few operating hours. Contact the BORA Service Team if the odour persists.

Tab. 8.1 Resolving a fault

► In all other instances, call the BORA Service Team (see the Warranty, service and spare parts chapter).

9 Decommissioning, disassembly and disposal

- ▶ Observe all safety and warning information (see Safety chapter).
- ▶ Follow the enclosed manufacturer's information.

9.1 Decommissioning

Decommissioning is considered the final decommissioning and disassembly. After decommissioning, the device can either be built into another piece of furniture, sold on privately, or disposed of.

INFO Disconnecting and connecting the electricity and gas connection may only be carried out by certified experts.

- ▶ Switch off the device before decommissioning (see Operating chapter)
- ▶ Disconnect the device from the voltage supply.

9.2 Disassembly

The removal requires that the device is accessible for disassembly and was separated from the voltage supply. On gas-powered devices, make sure that the gas connection is complete.

- ▶ Undo the mounting brackets.
- ▶ Remove the silicone joints.
- ▶ Remove the device from the worktop upwards.
- ▶ Remove further accessory parts.
- ▶ Remove the old appliance and dirty accessory as described under "Disposing of the product in an environmentally friendly way".

9.3 Disposing of the product in an environmentally friendly way

Disposal of transport packaging

INFO The packaging protects the device against transport damages. The packaging is made of materials that are environmentally friendly and easy to dispose of and can therefore be recycled.

Returning the packaging material into the material cycle saves resources and reduces the waste production. Your specialist supplier will take the packaging back.

- ▶ Hand the packaging to your specialist supplier or
- ▶ Dispose of the packaging properly taking into account the regional regulations.

Disposing of the old appliance



Electrical devices marked with this symbol should not be disposed of as household waste at the end of its life. They must be taken to a collection centre for recycling electrical or electronic non-heating appliances. For information, please contact your city or local authorities.

Waste electric and electronic equipment often still contains valuable materials. They do, however, also contain harmful substances that were required for their correct functioning and safety. When disposed of in the residual waste or if not handled correctly, they may cause harm to the health of people and the environment.

- ▶ Therefore do not dispose of your old appliance as household waste.
- ▶ Take the old appliance to a regional collection centre for return and recycling of electronic and electrical parts and other materials.

10 Warranty, service and spare parts

- ▶ Observe all safety and warning information (see Safety chapter).

10.1 Warranty

The warranty period shall be 2 years.

10.2 Service

BORA Service:

see reverse side of operating and assembly instructions



- ▶ In the case of faults you cannot fix yourself, contact your BORA specialist supplier or the BORA Service Team.

The After Sales Service will require the type designation and the serial number of your device (FD number). This information is provided on the nameplate or on the back of the manual as well as on the device.

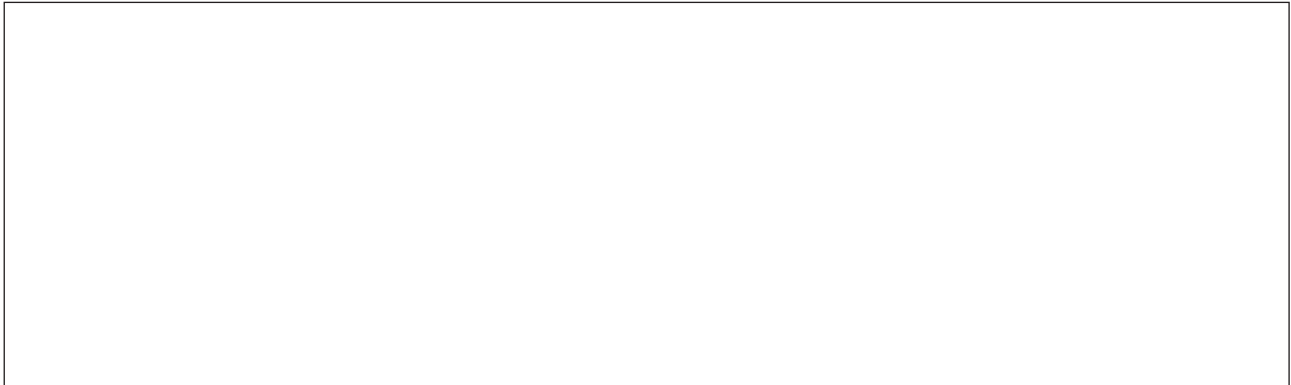
10.3 Spare parts

- ▶ Only use original spare parts when making repairs.

INFO Spare parts can be obtained from your BORA dealer, the BORA online service website at www.bora.com/service or by calling the service number provided.

11 Notes:

Nameplate:



Germany::

BORA Lüftungstechnik GmbH
Rosenheimer Str. 33
83064 Raubling
Germany
T +49 (0) 8035 / 907-240
F +49 (0) 8035 / 907-249
info@bora.com
www.bora.com

Australia – New Zealand:

BORA APAC Pty Ltd
A/ 91-95 Victoria Road
Drummoyne NSW 2047
Australia
T +61 2 7900 5580
F +61 2 8076 3514
info@boraapac.com.au
www.boraapac.com.au

Austria:

BORA Vertriebs GmbH & Co KG
Prof.-Dr.-Anton-Kathrein-Straße 3
6342 Niederndorf
Österreich
T +43 (0) 5373 / 62250-0
F +43 (0) 5373 / 62250-90
mail@bora.com
www.bora.com

Europe:

BORA Holding GmbH
Prof.-Dr.-Anton-Kathrein-Straße 3
6342 Niederndorf
Austria
T +43 (0) 5373 / 62250-0
F +43 (0) 5373 / 62250-90
mail@bora.com
www.bora.com

