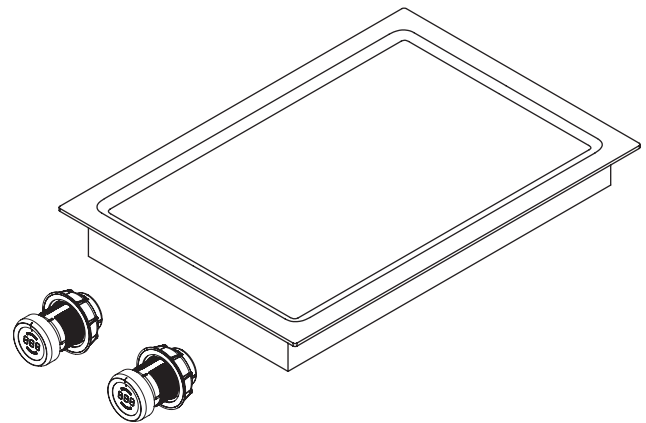
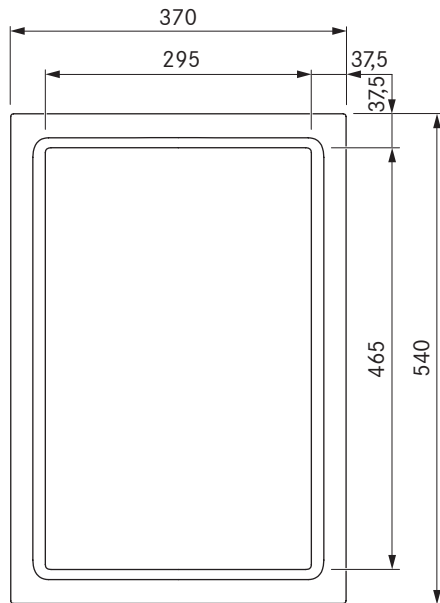
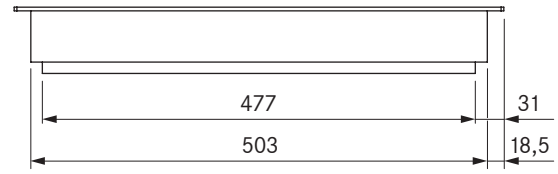
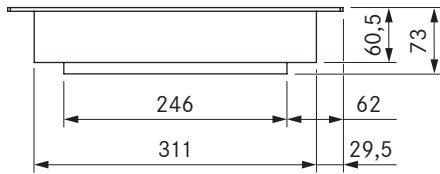


# PKT 11

## BORA Tepan stainless steel grill with 2 cooking zones



Technical data	
Supply voltage	380 – 415 V 2N
Frequency	50/60 Hz
Maximum power consumption	4.8 kW
Maximum power rating	4.8 kW
Fuse protection	2 x 16 A
Temperature control (power levels)	150 – 230°C, 250°C (1 - 9, P)
Temperature control range	70 – 250°C
Weight (incl. accessories/packageing)	15.8 kg
Surface material	Brushed stainless steel
Power supply cable	1.5 m (L1, L2, N, PE)
Dimensions (WxDxH)	370 x 540 x 73 mm
Front cooking zone size	295 x 230 mm
Front cooking zone power	2400 W
Rear cooking zone size	295 x 230 mm
Rear cooking zone power	2400 W

### Product description

- Full-surface Tepan stainless steel grill with two cooking zones
- 4 mm deep-drawn and brushed stainless steel with rounded inner corners for simple cleaning
- Power setting
- Bridging function
- Residual heat display
- Pause function
- Timer function
- Configuration menu
- Cooking zone indicator on the control knob
- Demo mode
- Automatic heat-up function
- Digital power display on the control knob
- Cleaning function
- Childproofing feature
- Safety shut-down

### Scope of delivery

- PKT 11 Tepan stainless steel grill
- 2 x control knobs
- 2 x connection cables for the control knobs
- Connection cable to the extractor
- Operating and installation instructions
- PTTS 1 Tepan scraper
- Height adjustment plate set
- Mounting straps

- Make sure that the area below the Tepan cooktop is sufficiently ventilated.