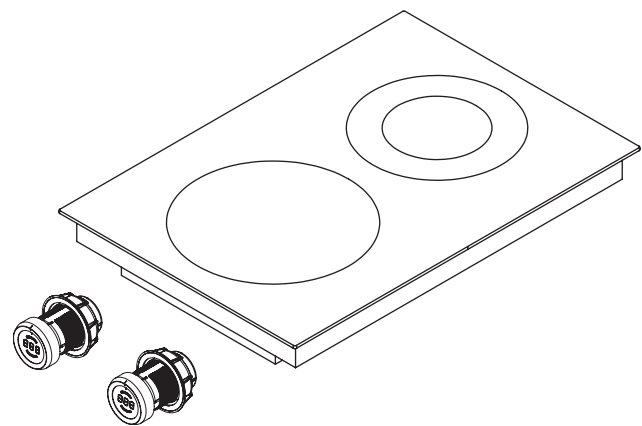
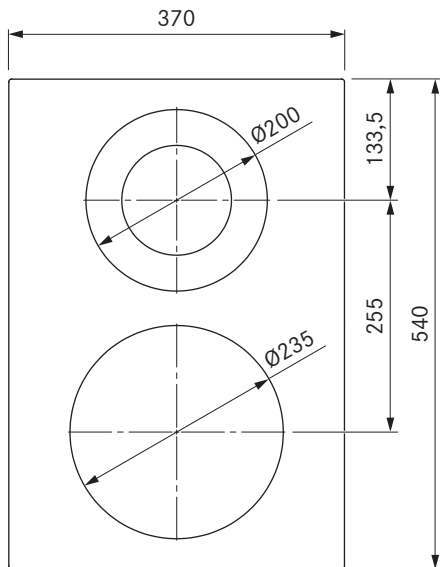
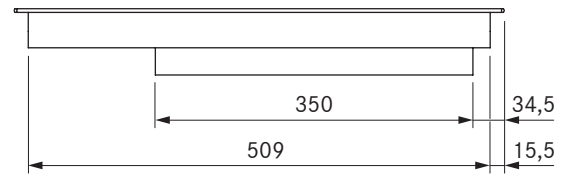
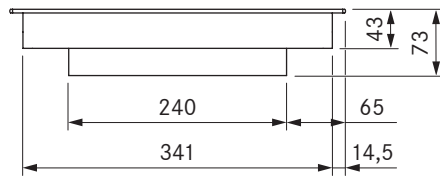


## BORA Hyper glass ceramic cooktop with 2 cooking zones: 1-ring/2-ring



### Technical data

Supply voltage	380 - 415 V 2 N
Frequency	50/60 Hz
Maximum power consumption	5.1 kW
Maximum power rating	5.1 kW
Fuse protection	2 x 16 A
Power levels	1 - 9, (switching of 2-ring/hyper)
Weight (incl. accessories/packaging)	8.7 kg
Surface material	SCHOTT CERAN®
Power supply cable	1.5 m (L1, L2, N, PE)
Dimensions (WxDxH)	370 x 540 x 73 mm
Front cooking zone size	Ø 235 mm
Front cooking zone power	2100 W
Front cooking zone power setting	3200 W
Number of front cooking zone rings	1
Rear cooking zone size	Ø 120 / 200 mm
Rear cooking zone power	800 / 1900 W
Number of rear cooking zone rings	2

### Product description

- Hyper glass ceramic cooktop with hyper/2-ring
- Save time with shorter heating times on the front cooking zone
- Residual heat display
- Childproofing feature
- Demo mode
- Rotation by 180° possible during installation
- Configuration menu
- Timer function
- Safety shut-down
- Automatic heat-up function
- Digital power display on the control knob
- Pause function
- Heat retention function

### Scope of delivery

- PKCH2 Hyper glass ceramic cooktop
- 2 x control knobs
- 2 x connection cables for the control knobs
- Connection cable to the extractor
- Operating and installation instructions
- Mounting straps
- Glass ceramic scraper
- Height adjustment plate set