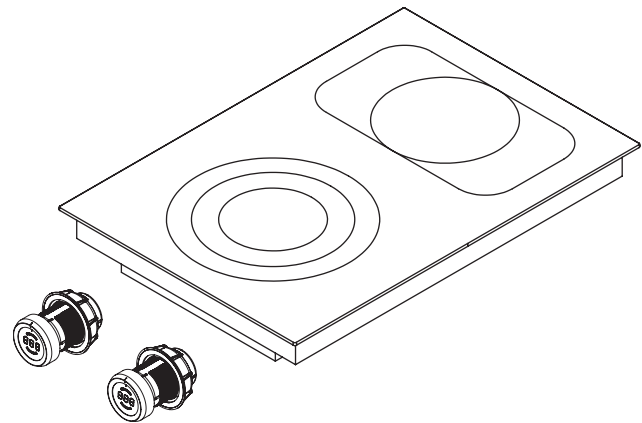
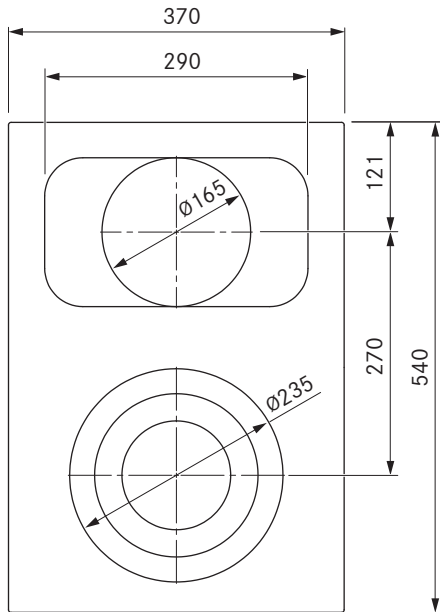
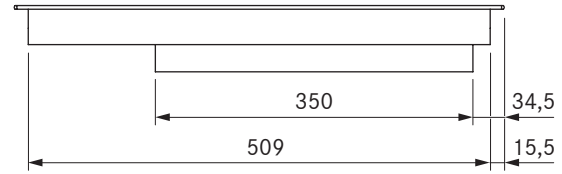
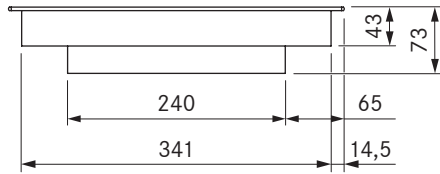


# PKC3B

## BORA HiLight glass ceramic cooktop with 2 cooking zones: 3-ring/roaster



Technical data	
Supply voltage	380 - 415 V 2N
Frequency	50/60 Hz
Maximum power consumption	5.1 kW
Maximum power rating	5.1 kW
Fuse protection	2 x 16 A
Power levels	1 - 9, (switching of 2/3 rings/roaster)
Weight (incl. accessories/packaging)	8.9 kg
Surface material	SCHOTT CERAN®
Power supply cable	1.5 m (L1, L2, N, PE)
Dimensions (WxDxH)	370 x 540 x 73 mm
Front cooking zone size	Ø 120 / 180 / 235 mm
Front cooking zone power	800 / 1600 / 2500 W
Number of front cooking zone rings	3
Rear cooking zone size	Ø 165 mm / 290 x 165 mm
Rear cooking zone power	1500 W / 2600 W

Product description
■ HiLight glass ceramic cooktop with 3-ring/roaster switching
■ Residual heat display
■ Childproofing feature
■ Demo mode
■ Rotation by 180° possible during installation
■ Configuration menu
■ Timer function
■ Safety shut-down
■ Automatic heat-up function
■ Digital power display on the control knob
■ Pause function
■ Heat retention function

Scope of delivery
■ PKC3B HiLight glass ceramic cooktop
■ 2 x control knobs
■ 2 x connection cables for the control knobs
■ Connection cable to the extractor
■ Operating and installation instructions
■ Mounting straps
■ Glass ceramic scraper
■ Height adjustment plate set