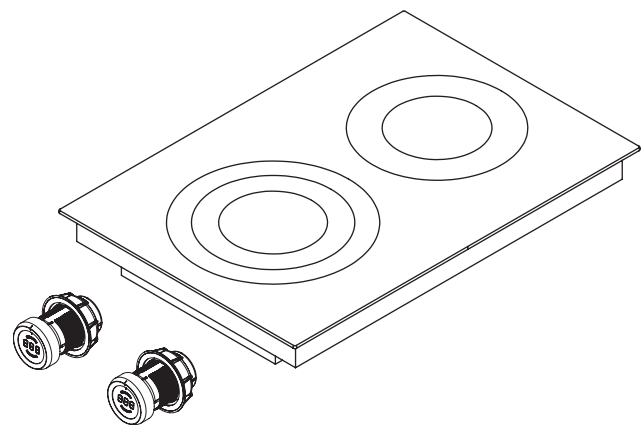
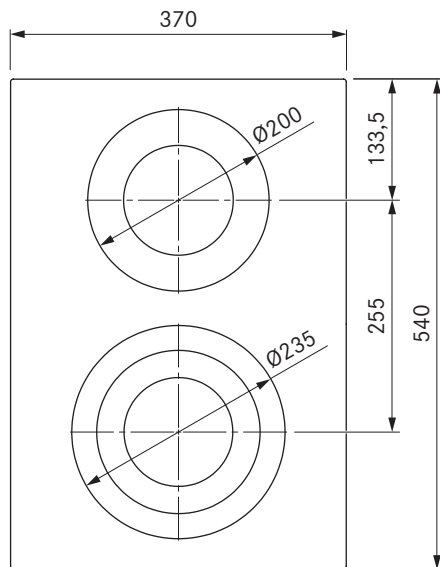
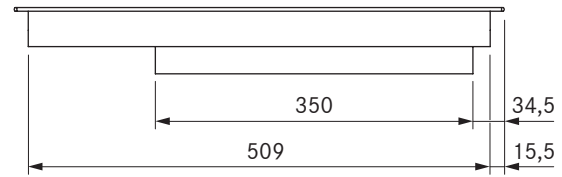
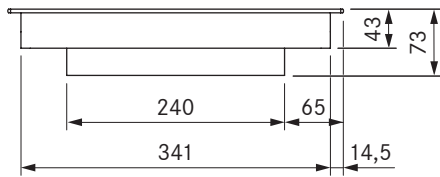


## BORA HiLight glass ceramic cooktop with 2 cooking zones: 3-ring/2-ring



### Technical data

Supply voltage	380 - 415 V 2N
Frequency	50/60 Hz
Maximum power consumption	4.4 kW
Maximum power rating	4.4 kW
Fuse protection	2 x 16 A
Power levels	1 - 9, (switching of 2/3 rings)
Weight (incl. accessories/packageing)	8.7 kg
Surface material	SCHOTT CERAN®
Power supply cable	1.5 m (L1, L2, N, PE)
Dimensions (WxDxH)	370 x 540 x 73 mm
Front cooking zone size	Ø 120 / 180 / 235 mm
Front cooking zone power	800 / 1600 / 2500 W
Number of front cooking zone rings	3
Rear cooking zone size	Ø 120 / 200 mm
Rear cooking zone power	800 / 1900 W
Number of rear cooking zone rings	2

### Product description

- HiLight glass ceramic cooktop with 3-ring/2-ring switching
- Residual heat display
- Childproofing feature
- Demo mode
- Rotation by 180° possible during installation
- Configuration menu
- Timer function
- Safety shut-down
- Automatic heat-up function
- Digital power display on the control knob
- Pause function
- Heat retention function

### Scope of delivery

- PKC32 HiLight glass ceramic cooktop
- 2 x control knobs
- 2 x connection cables for the control knobs
- Connection cable to the extractor
- Operating and installation instructions
- Mounting straps
- Glass ceramic scraper
- Height adjustment plate set