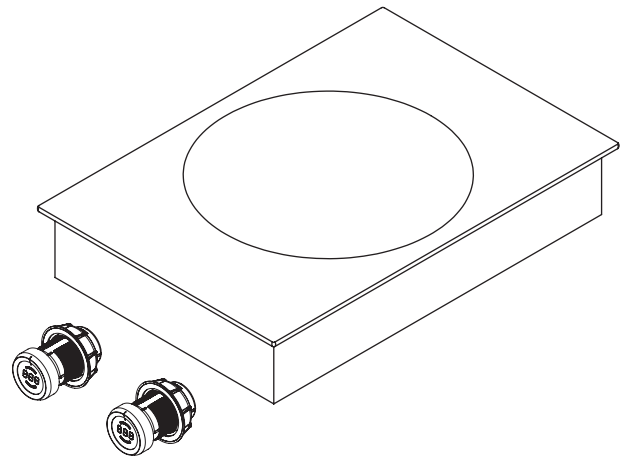
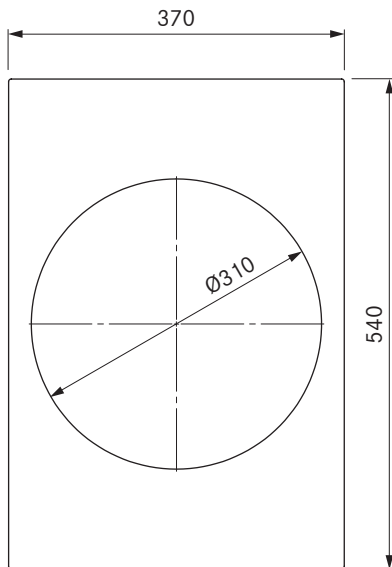
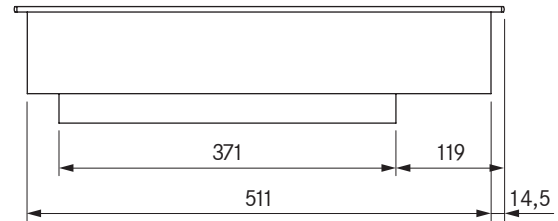
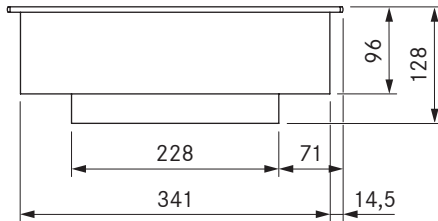


PKIW1

BORA induction glass ceramic wok cooktop



Technical data	
Supply voltage	220 - 240 V
Frequency	50/60 Hz
Maximum power consumption	3.0 kW
Maximum power rating	3.0 kW
Fuse protection	1 x 16 A
Power levels	1 - 9, P
Weight (incl. accessories/packaging)	9.5 kg
Surface material	SCHOTT CERAN®
Power supply cable	1.5 m (L, N, PE)
Dimensions (WxDxH)	370 x 540 x 128 mm
Cooking zone size	Ø 310 mm
Cooking zone power	2400 W
Cooking zone power setting	3000 W

Product description
■ Power setting
■ Residual heat display
■ Pause function
■ Timer function
■ Configuration menu
■ Cooking zone indicator on the control knob
■ Demo mode
■ Pan size recognition
■ Automatic heat-up function
■ Digital power display on the control knob
■ Childproofing feature
■ Safety shut-down

Scope of delivery
■ PKIW1 induction glass ceramic wok cooktop
■ 2 x control knobs
■ 2 x connection cables for the control knobs
■ Connection cable to the extractor
■ Operating and installation instructions
■ Height adjustment plate set
■ Mounting straps
■ Glass ceramic scraper

Planning instructions
■ The installation height of 128 mm means that the device cannot be installed over the exhaust ducting
■ Make sure that the area below the induction cooktop is sufficiently ventilated
■ Wok recess diameter 310 mm
■ Use a wok that loses its magnetic properties when the temperature rises (overheating protection). We recommend using the BORA induction wok.

Accessories
■ HIW1 induction wok, Controlinduc®, stainless steel, Ø 360 mm