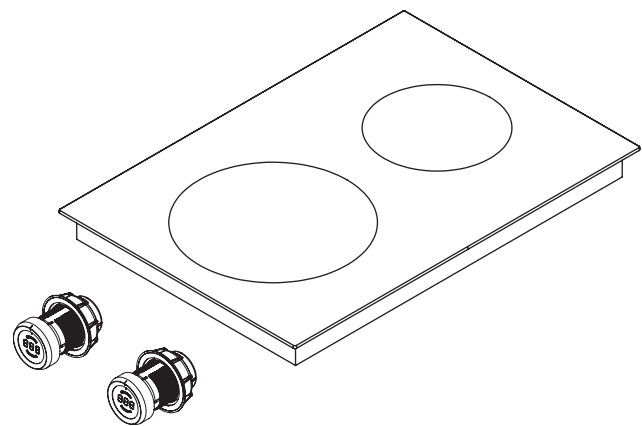
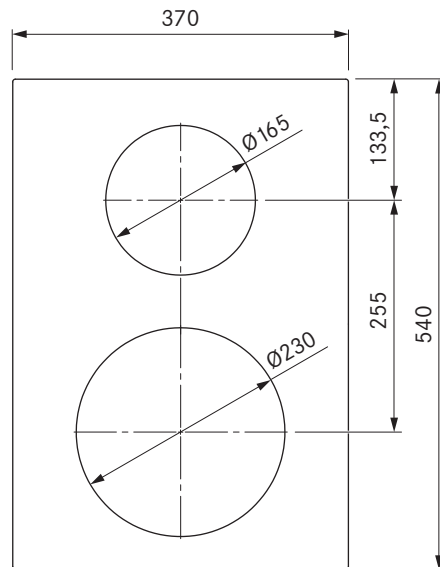
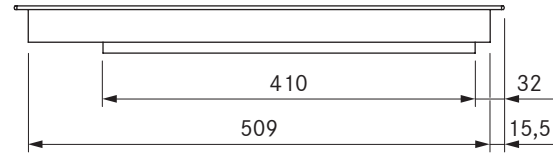
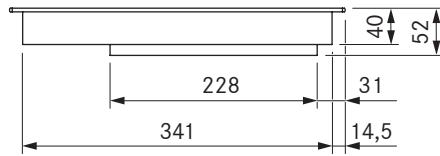


## BORA induction glass ceramic cooktop with 2 cooking zones



### Technical data

Supply voltage	220 - 240 V
Frequency	50/60 Hz
Maximum power consumption	3.7 kW
Maximum power rating	3.7 kW
Fuse protection	1 x 16 A
Power levels	1 - 9, P
Weight (incl. accessories/packaging)	8.0 kg
Surface material	SCHOTT CERAN®
Power supply cable	1.5 m (L, N, PE)
Dimensions (WxDxH)	370 x 540 x 52 mm
Front cooking zone size	Ø 230 mm
Front cooking zone power	2300 W
Front cooking zone power setting	3700 W
Rear cooking zone size	Ø 165 mm
Rear cooking zone power	1400 W
Rear cooking zone power setting	2200 W

### Product description

- Heat retention function
  - Power setting
  - Residual heat display
  - Pause function
  - Timer function
  - Configuration menu
  - Rotation by 180° possible during installation
  - Cooking zone indicator on the control knob
  - Demo mode
  - Pan size recognition
  - Automatic heat-up function
  - Digital power display on the control knob
  - Childproofing feature
  - Safety shut-down
- Please note that induction-compatible cookware must be used on induction cooktops
- Make sure that the area below the induction cooktop is sufficiently ventilated

### Scope of delivery

- PKI11 induction glass ceramic cooktop
- 2 x control knobs
- 2 x connection cables for the control knobs
- Connection cable to the extractor
- Operating and installation instructions
- Mounting straps
- Glass ceramic scraper
- Drilling template
- Height adjustment plate set