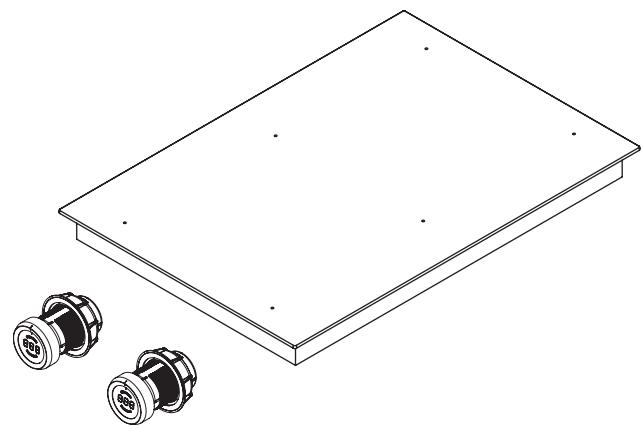
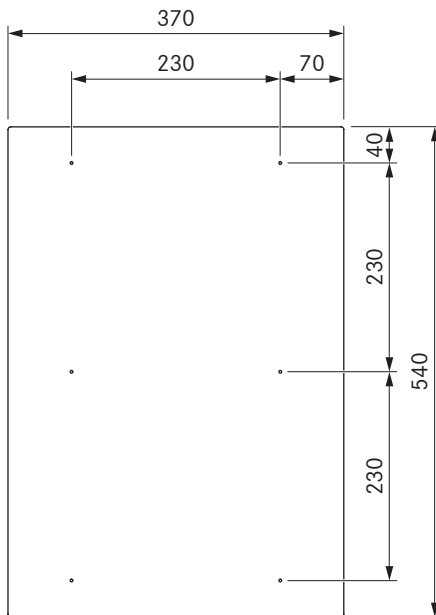
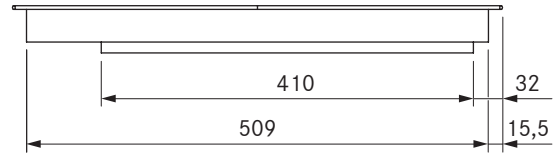
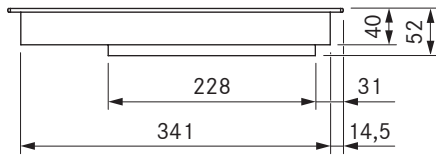


PKFI11

BORA surface induction glass ceramic cooktop with 2 cooking zones



Technical data	
Supply voltage	220 - 240 V
Frequency	50/60 Hz
Maximum power consumption	3.7 kW
Maximum power rating	3.7 kW
Fuse protection	1 x 16 A
Power levels	1 - 9, P
Weight (incl. accessories/packaging)	8.1 kg
Surface material	SCHOTT CERAN®
Power supply cable	1.5 m (L, N, PE)
Dimensions (WxDxH)	370 x 540 x 52 mm
Front cooking zone size	230 x 230 mm
Front cooking zone power	2100 W
Front cooking zone power setting	3700 W
Rear cooking zone size	230 x 230 mm
Rear cooking zone power	2100 W
Rear cooking zone power setting	3700 W

Product description
■ Heat retention function
■ Power setting
■ Bridging function
■ Residual heat display
■ Pause function
■ Timer function
■ Configuration menu
■ Rotation by 180° possible during installation
■ Cooking zone indicator on the control knob
■ Demo mode
■ Pan size recognition
■ Automatic heat-up function
■ Digital power display on the control knob
■ Childproofing feature
■ Safety shut-down

Scope of delivery
■ PKFI11 surface induction glass ceramic cooktop
■ 2 x control knobs
■ 2 x connection cables for the control knobs
■ Connection cable to the extractor
■ Operating and installation instructions
■ Mounting straps
■ Glass ceramic scraper
■ Height adjustment plate set

Accessories
■ UGPI1 grill pan

- Please note that induction-compatible cookware must be used on induction cooktops
- Make sure that the area below the induction cooktop is sufficiently ventilated