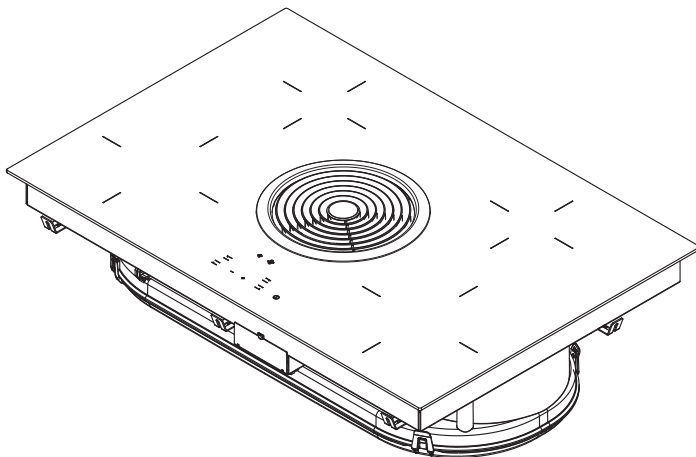
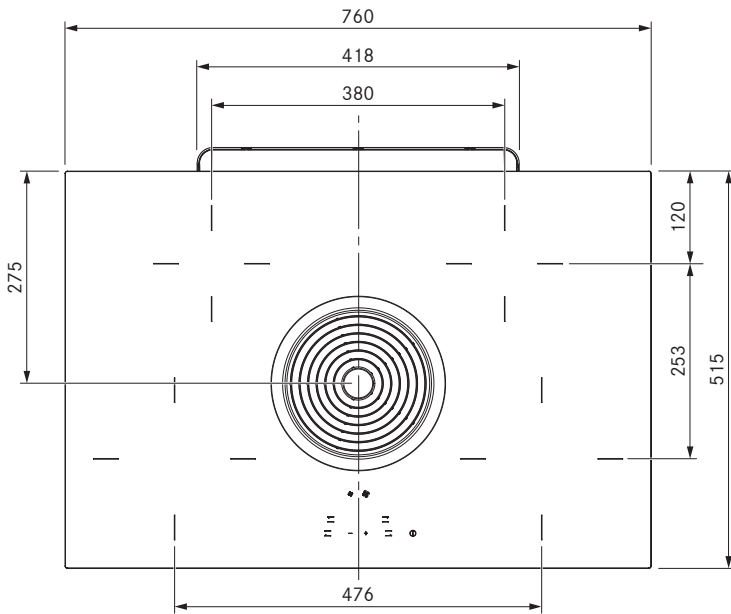
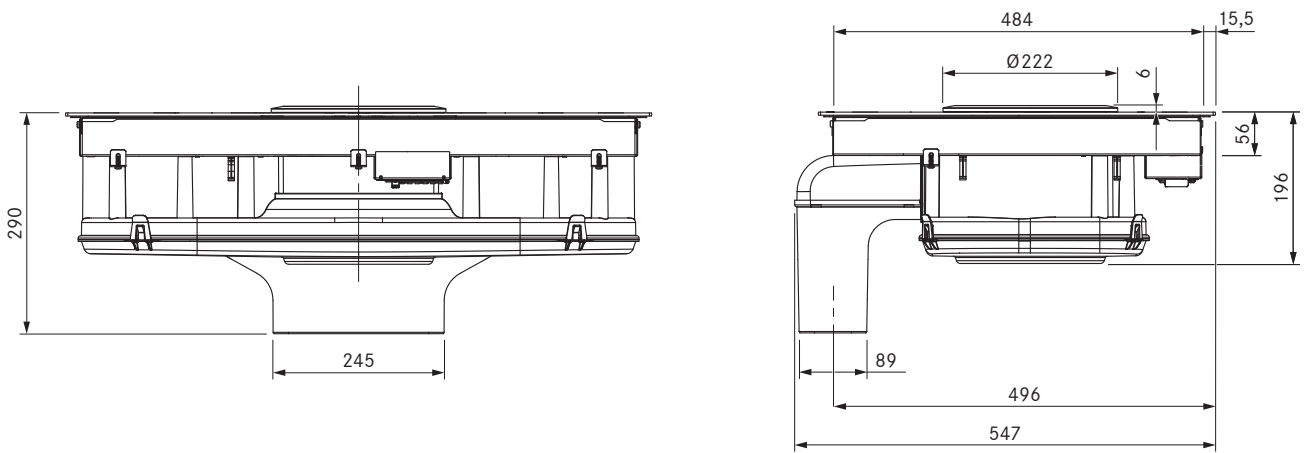


# BHA

## BORA Hyper glass ceramic cooktop with cooktop extractor – exhaust air



## BORA Hyper glass ceramic cooktop with cooktop extractor – exhaust air

Technical data	
Supply voltage	380 – 415 V 2N/3N
Supply voltage	220 – 240 V
Frequency	50 Hz
Maximum power consumption	7.0 kW
Fuse protection / power supply	3 x 16 A
Fuse protection / power supply	2 x 16 A
Fuse protection / power supply	1 x 32 A
Dimensions (WxDxH)	760 x 515 x 196 mm
Weight (incl. accessories/packageing)	25 kg
Surface material	SCHOTT CERAN®
Cooktop	
Front cooking zone size	Ø 210 mm
Front cooking zone power	2300 W
Front cooking zone power setting	3000 W
Rear cooking zone size	Ø 140 mm
Rear cooking zone power	1200 W
Power levels	1 – 9, P
Extraction system	
Maximum air volume	647 m <sup>3</sup> /h
Maximum static pressure	339 Pa
Connection on the exhaust side	BORA Ecotube
Power levels	1, 2, P

Cooktop
<ul style="list-style-type: none"> <li>■ Power setting for the front left cooking zone (Hyper cooking zone)</li> <li>■ Automatic cut-off</li> <li>■ Timer function</li> <li>■ Residual heat display</li> <li>■ Automatic heat-up function</li> <li>■ Heat retention function</li> <li>■ Childproofing feature</li> </ul>

Exhaust system
<ul style="list-style-type: none"> <li>■ Touch-operated power control</li> <li>■ Automatic after-run</li> <li>■ Automatic cut-off</li> <li>■ Filter service display</li> </ul>

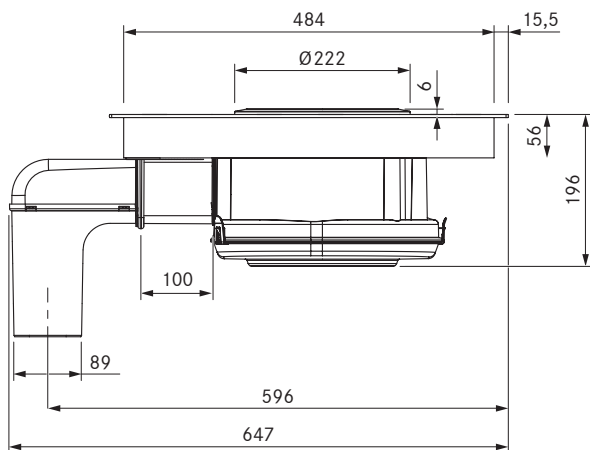
Scope of delivery
<ul style="list-style-type: none"> <li>■ Hyper glass ceramic cooktop with BHA cooktop extractor</li> <li>■ Stainless steel grease filter</li> <li>■ BLAVH horizontal exhaust air extension</li> <li>■ Mounting straps</li> <li>■ Sealing tape</li> <li>■ Glass ceramic scraper</li> <li>■ Cable routing clips</li> <li>■ Height adjustment plate set</li> <li>■ Operating and installation instructions</li> </ul>

Planning instructions
<ul style="list-style-type: none"> <li>■ Basic cooktop extractor system can be combined with the sockets USTF, USTE, USTJ, USTG and USTL</li> </ul>

Accessories
<ul style="list-style-type: none"> <li>■ BFF stainless steel grease filter</li> <li>■ BLED1 air inlet nozzle</li> <li>■ BUSU recirculation conversion set</li> <li>■ UDB25 sealing tape</li> <li>■ BKR760 cooktop frame</li> <li>■ BLAVH1 exhaust air duct extension</li> </ul>

- The connection cable must be provided at the installation site
- Front power socket
- Max. exhaust channel length: 6 m

### Installation option: BLAVH1 horizontal exhaust air duct extension



### Duct connection dimensions: BHA with BORA Ecotube duct connection

