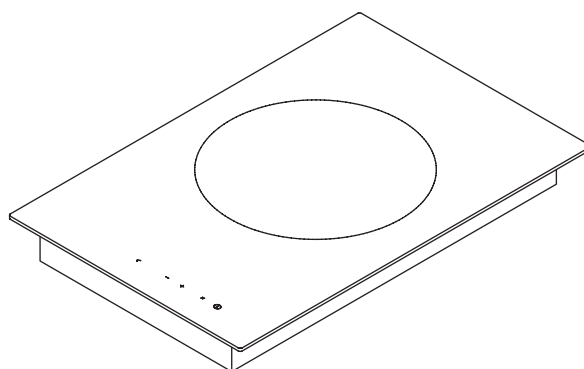
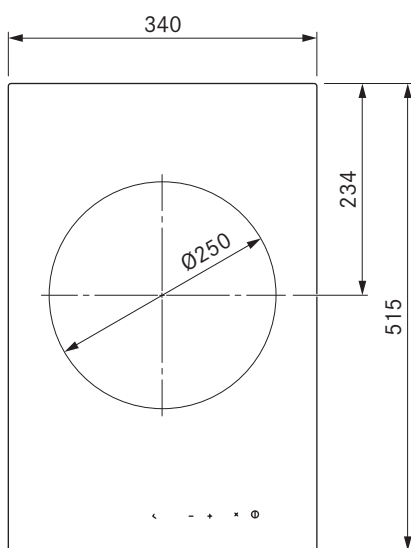
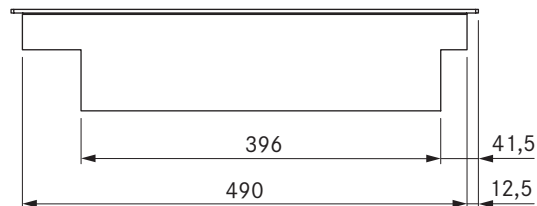
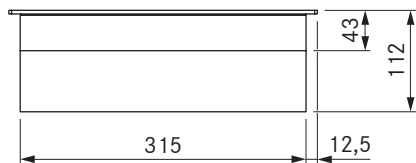


CIW 1

BORA induction glass ceramic wok cooktop



Technical data

Supply voltage	220 - 240 V
Frequency	50/60 Hz
Maximum power consumption	3.0 kW
Maximum power rating	3.0 kW
Fuse protection	1 x 16 A
Power levels	1 - 9, P
Weight (incl. accessories/packaging)	9.0 kg
Surface material	SCHOTT CERAN®
Power supply cable	1.5 m (L, N, PE)
Dimensions (WxDxH)	340 x 515 x 112 mm
Cooking zone size	Ø 250 mm
Cooking zone power	2400 W
Cooking zone power setting	3000 W

Product description

- Automatic cut-off
- Pause function
- Timer function
- Residual heat display
- Power setting
- Pan size recognition
- Childproofing feature

Scope of delivery

- CIW1 induction glass ceramic wok cooktop
- Mounting straps
- Sealing tape
- Glass ceramic scraper
- Height adjustment plate set
- Operating and installation instructions

Planning instructions

- If the CIW1 induction glass ceramic wok cooktop is used, the groove dimensions must be increased to 7 mm for flush installation.
- The installation height of 112 mm means that the device cannot be installed over the exhaust ducting. Installation is therefore only possible to the left of the extractor.
- Glass ceramic mould: diameter 250 mm
- A wok must be used that loses its magnetic properties when the temperature rises (overheating protection). We recommend using the BORA induction wok.
- Make sure that the area below the induction cooktop is sufficiently ventilated – opening cross-section > 50 cm²

Accessories

- HIW1 induction wok, Controlinduc®, stainless steel, Ø 360 mm