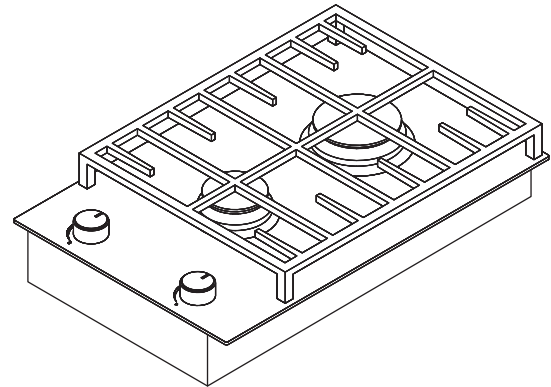
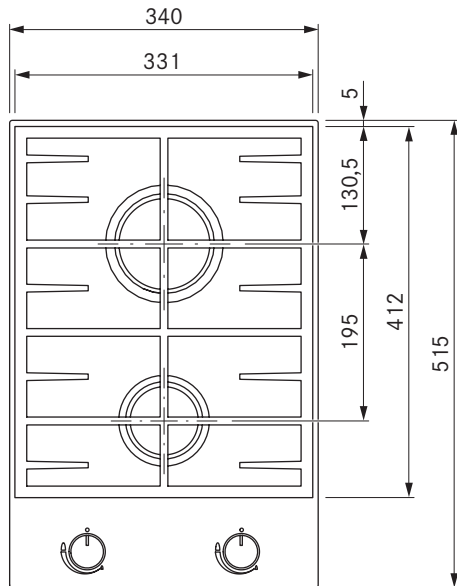
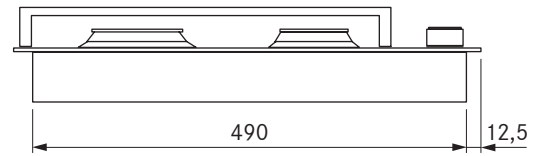
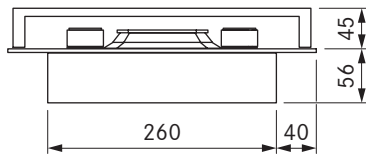


# CG 11

**BORA**

## BORA gas glass ceramic cooktop with 2 cooking zones



### Technical data

Supply voltage	220 - 240 V
Frequency	50/60 Hz
Maximum power consumption	3.9 kW
Maximum power rating	1.1 W
Fuse protection	1 x 0.5 A
Power levels	Freely adjustable
Weight (incl. accessories/packaging)	9.7 kg
Surface material	SCHOTT CERAN®
Power supply cable	1 m, Schuko plug types E + F
Dimensions (WxDxH)	340 x 515 x 56 mm
High-power burner	2900 W
Normal burner	1000 W

### Product description

- 2-flame gas cooktop with high-power and normal burners
- Childproofing feature
- Removable pan support

- Please note the local regulations and connection requirements applicable to gas cooktops!
- When combining two CG 11 gas glass ceramic cooktops and a CKASE cooktop extractor, two CKAAB0 cover plates must be additionally ordered as an air baffle.

### Scope of delivery

- CG 11 gas glass ceramic cooktop
- Brushed stainless steel knob
- Nozzle set:  
Natural gas: 20/25 mbar  
Liquid gas: 28-30/37/50 mbar
- Mounting straps
- Sealing tape
- Flexible gas connection for simple installation, length 500 mm, 1/2" outer thread
- Glass ceramic scraper
- Height adjustment plate set
- Operating and installation instructions

### Planning instructions

- The CKAEG air inlet grille cannot be combined with the gas cooktop