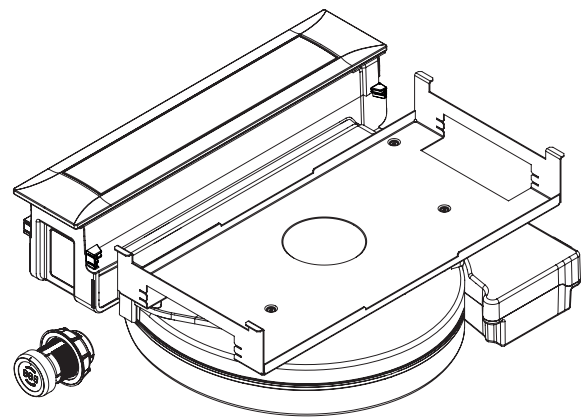
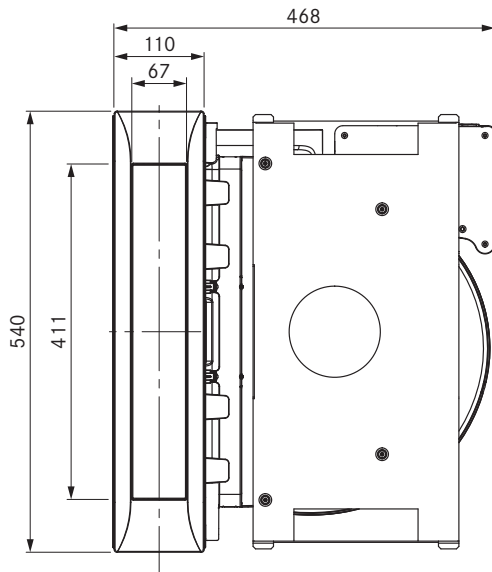
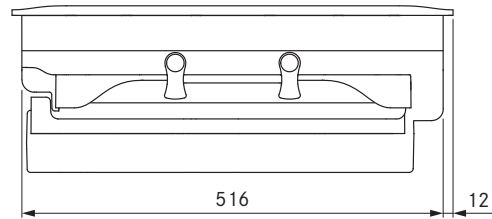
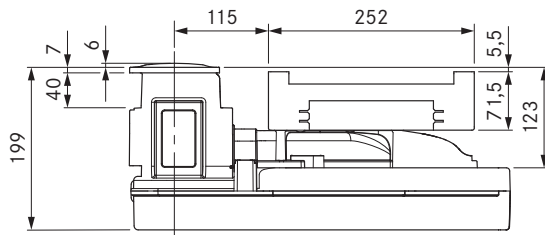


PKAS

BORA cooktop extractor system



Technical data	
Supply voltage	220 - 240 V
Frequency	50/60 Hz
Maximum power consumption	700 W
Power supply cable	2 m
Dimensions (WxDxH)	468 x 540 x 199 mm
Weight (incl. accessories/packaging)	12.5 kg
Power levels	1 - 9, P
Connection on the exhaust side	BORA Ecotube

- Product description**
- Control knob for power control
 - Power display
 - Electrical cover flap
 - Cover flap sensor
 - Stainless steel grease filter
 - Grease filter sensor
 - Automatic cooktop extractor function
 - Automatic after-run
 - Filter service display
 - Interface for external devices
 - Safety shut-down
 - Ability to connect an additional BORA Universal fan module

- Scope of delivery**
- Cooktop extractor PKAS with integrated fan
 - Control knob
 - Stainless steel grease filter
 - Filter tray
 - Maintenance tray
 - Cover flap
 - Interface (connection) cable between control knob and extractor
 - Operating and installation instructions
 - Height adjustment plate set
 - Mounting clamps
 - Power supply cable with type E + F plugs

- Planning instructions**
- Suitable for use as a recirculation or exhaust system
 - Can be combined with all BORA Professional cooktops and BORA Universal fan modules
 - In the event of an exhaust channel of more than 6 m in length or significant pressure losses, an additional Universal fan module must be used
 - The worktop height can be adjusted as necessary
 - Worktop depth: ≥ 700 mm
 - Installation type: flush or surface-mounted
 - The drawers and/or shelves in the floor unit must be removable for maintenance and cleaning purposes
 - The BORA Ecotube duct system is optimally tailored to the BORA cooktop extractors and guarantees 100% functionality and optimum performance
 - Professional cooktop extractor system can be combined with USTF, USTE, USTJ, USTG and USTL sockets

- Accessories**
- PKA1FF stainless steel grease filter
 - PKA1VK cover flap
 - PKA1FW filter tray
 - UNLI type I power supply cable (AUS)
 - UNLJ type J power supply cable (CH)
 - UNLG type G power supply cable (GB-IE)